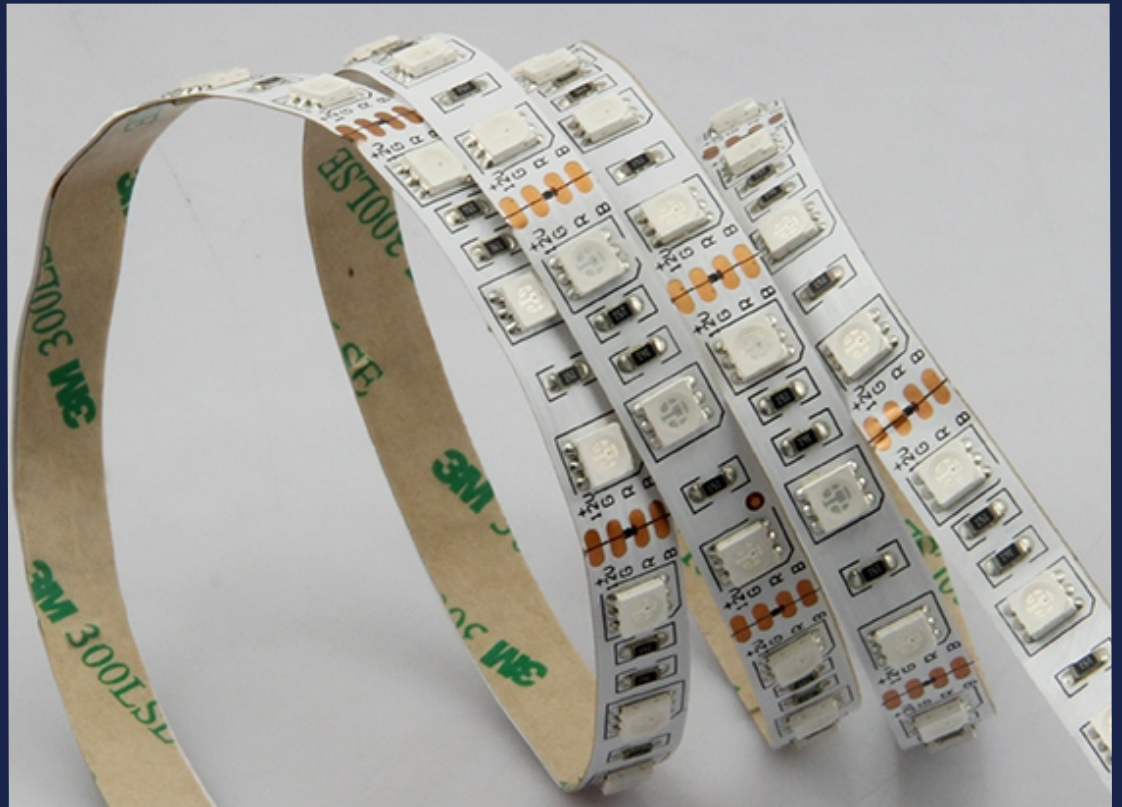




SurMountor



SUR-5050FRGB60-12V FLEXIBLE STRIP introduction

Product specification

Lister: Lxlan

Assessor: 

Approver: 

Features:

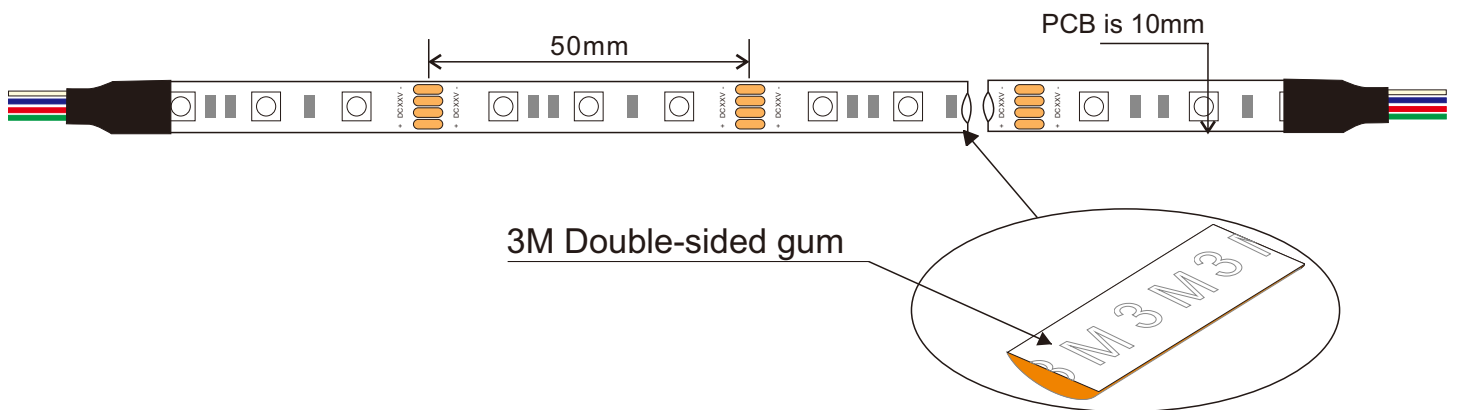
- Available in 12V DC maximum.
- Very bright & low power consumption.
- Operating temperature: -20~50°C.
- Long life span LED lights, more than 50,000 hours+.
- Adhesive back, peel & stick!
- All available controller or dimmers.
- Non-Waterproof, IP20.

Applications:

Ideal for sign letters and channel letters, concealed lights, room lighting, equipment.

Assembly drawing




Top View

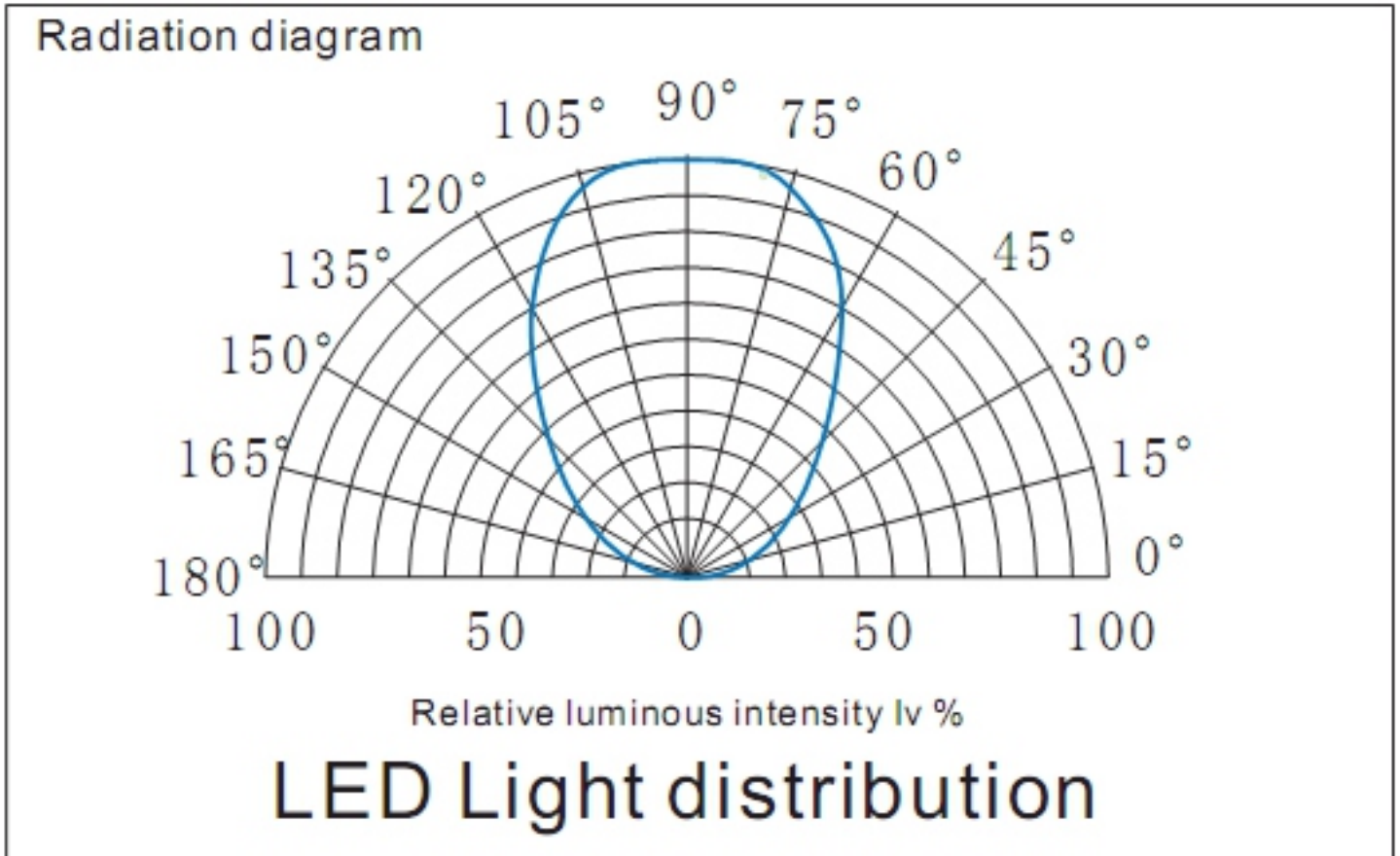


Section



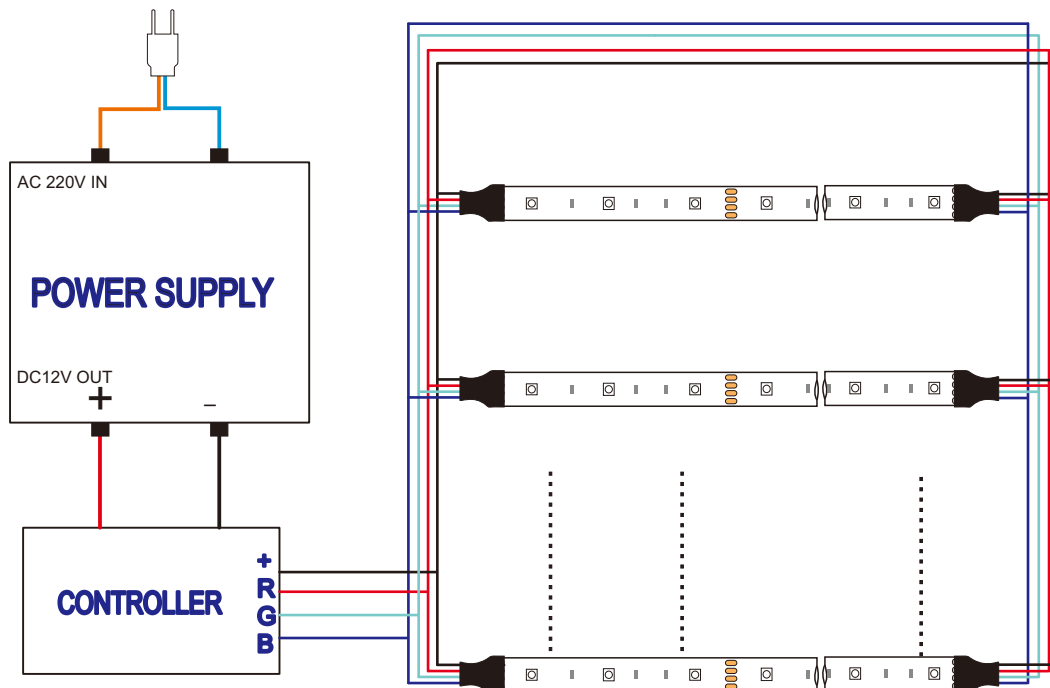
Dropper series: 5050 60LED/meter

Part number	Color	LED QTY/meter	Lumen/meter	Voltage	Power/meter	packing means
SUR-5050FRGB60-12V	Red 	60	108	DC12V	14.4 watt	5 meter/reel
	Green 		270			
	Blue 		72			



How to connect flexible strip

Below shows you how to connect the flexible strip(RGB) to power supplies.

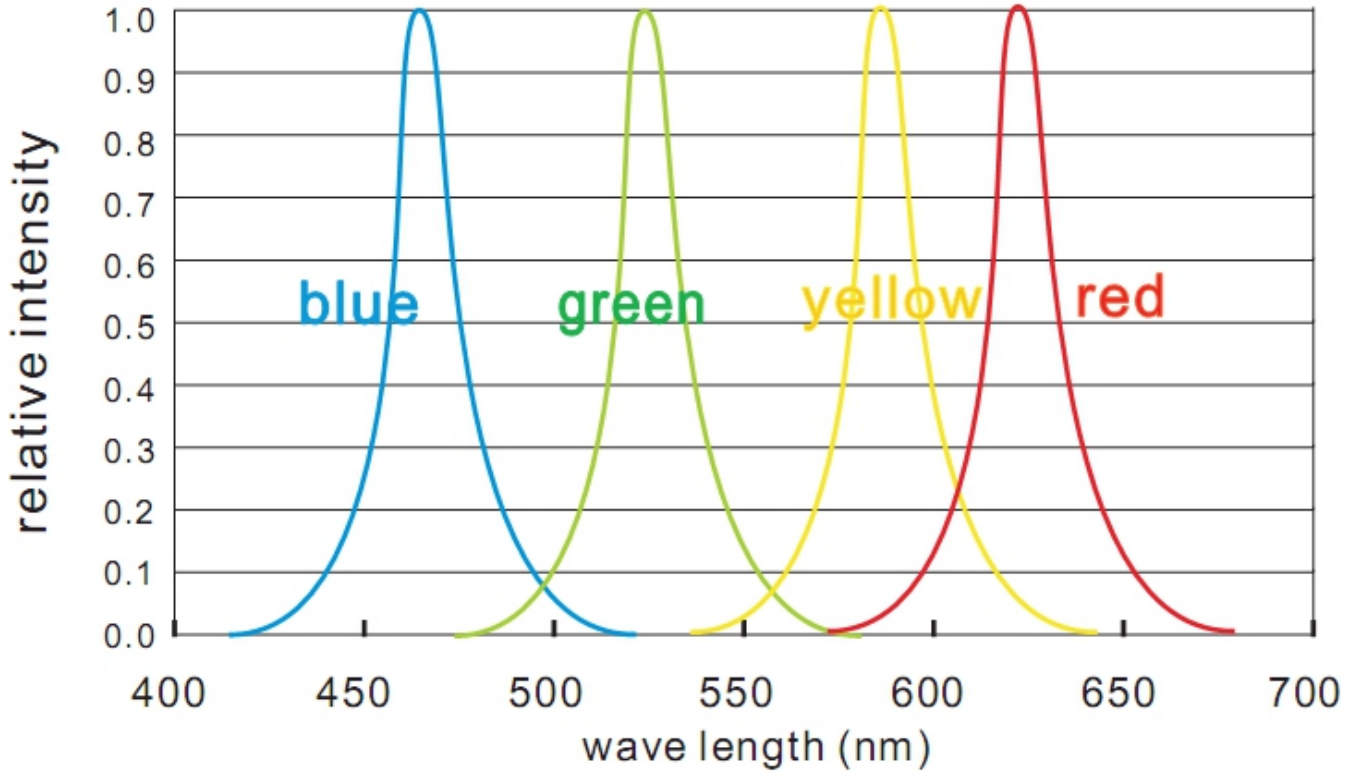


Note:

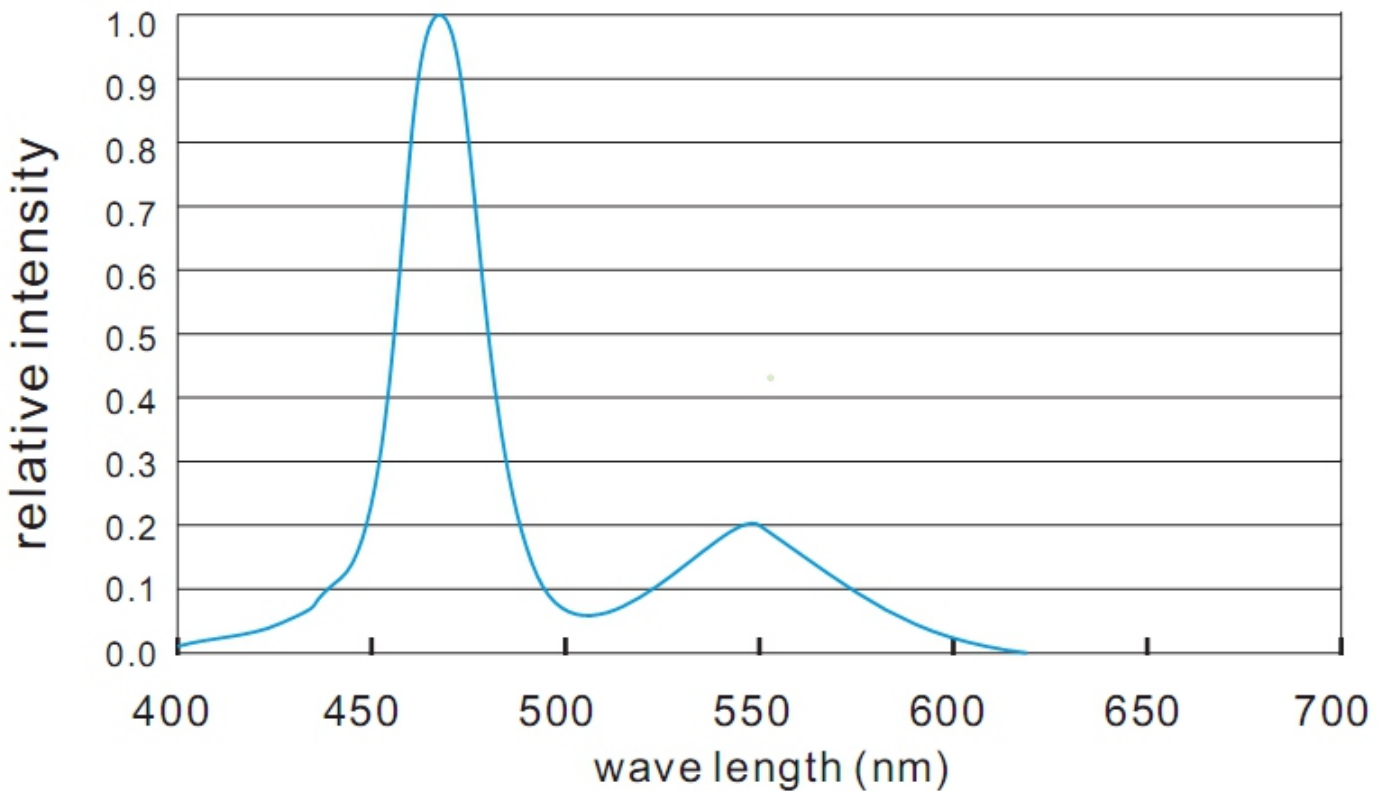
Please note that, the LED strips should not be used in sealed or hot place, to make sure the heat Dispersion is good for the LEDs.

Each flexible strip with a total length of the series can not be more than 5 meters.

Flexible strip with all of the total power can not exceed 90% of the power switching power supply.



for: red, blue, green, yellow



for: white LED

Package:



1 reel/bag



25 bags/Inner Box



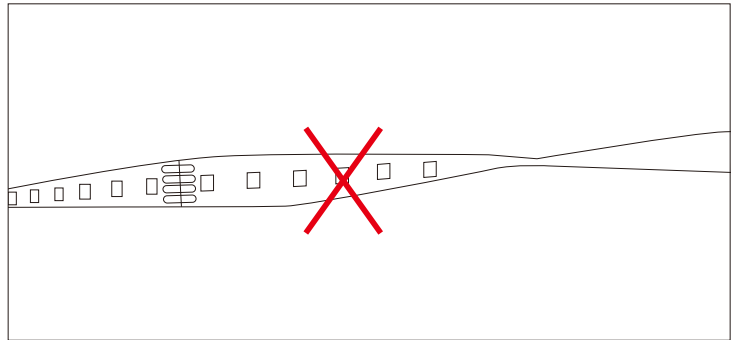
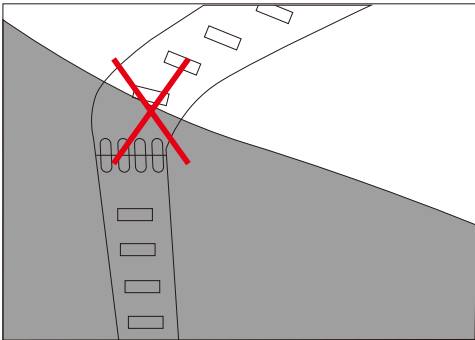
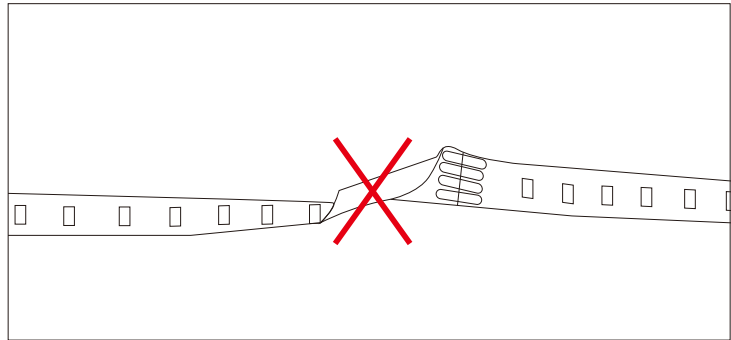
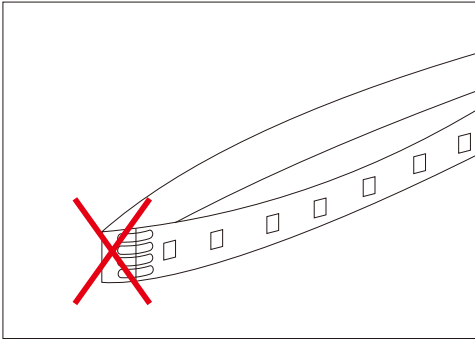
50 Bags/Outer Box



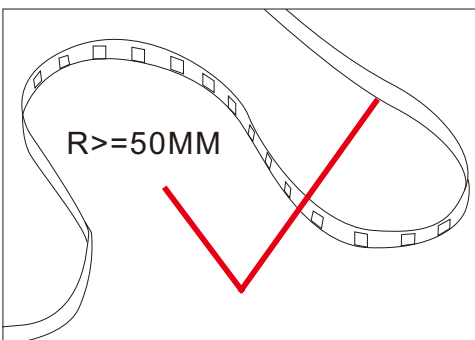
Package: 5 meter strip in one reel, one reel in one anti-static bag, 25 bags put into one inner box, 2 inner box put into one carton.

! Cautions:

When install the led strip, please note the installation technique. The led strip can be bent, but not distorted, as shown below:



Distortion(Wrong)



Bend (Right)