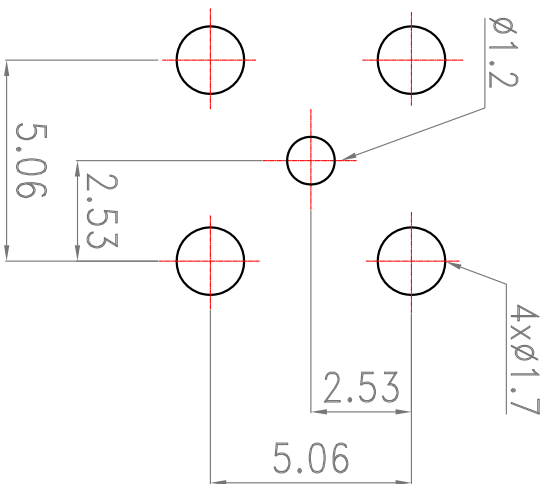
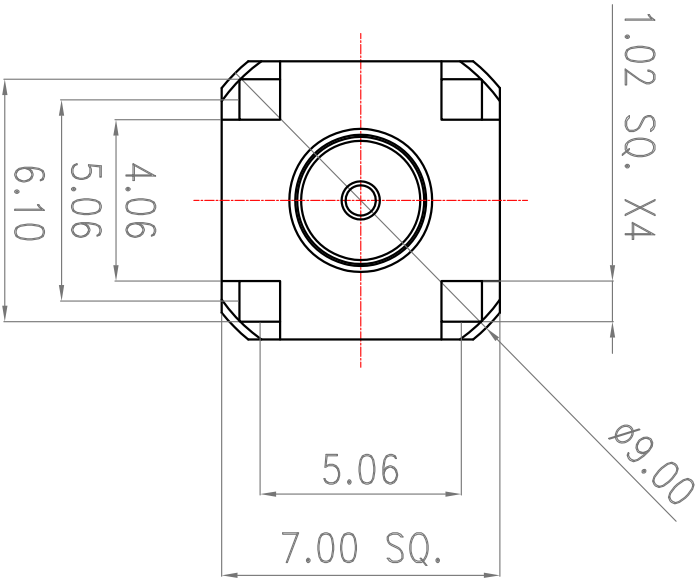
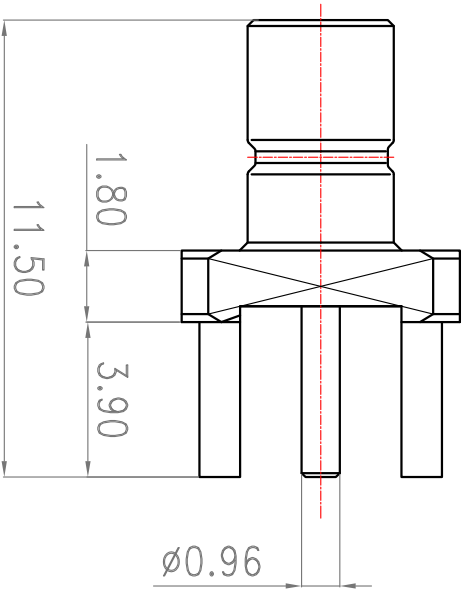


Revisions

ISS	Symbol	Description	Date
B		CHIE for New Drawing Frame & New PN System	2008/04/11

Outline Drawing

Note: Revisions B: B-1; B-2..... On behalf of official Drawing.
Revisions 1; 2; 3; 4..... On behalf of experiment's Drawing.



Recommended PCB Layout

ROHS COMPLIANCE

ITEM	Description	Material	Finish	Part Number	QTY
6					
5					
4					
3	Pin	Brass	30u"Gold		
2	Insulator	PTFE	None		
1	Body	Brass	Gold		

Scale	Abbr.	Date	Rev.
NTS	ST	2010/09/03	B

Tolerances :
X : ±0.2
.XX : ±0.1
.XXXX±0.05

All Dimensions in mm
(Unless Otherwise Specified)

Proprietary Note
This document contains information proprietary to S-Comm, which is either copyrighted, or patent applied for, and / or protected by trade secret laws. This document or parts thereof, may not be used, disclosed or reproduced in any form by any method, or for any purpose, without the written permission of S-Comm, Taiwan.

Customer P/N:

DWG. NO.	SB205P0G27
TITLE.	SMB Straight Jack, PCB Type

S-Comm Enterprise Co., Ltd
ISO 9001 Certified

Drawn	Checked	Approved
<i>Mark</i>	<i>Ryuan</i>	<i>Y. Sun</i>
2010/09/03	2010/09/03	2010/09/03