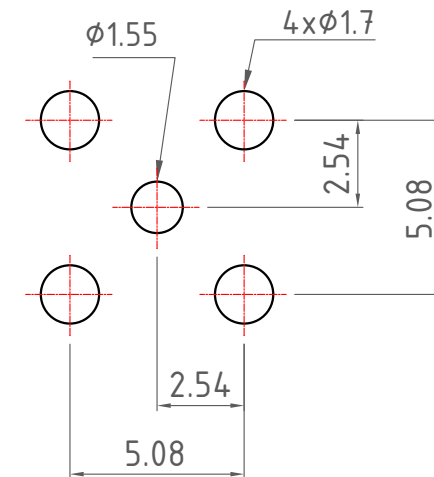
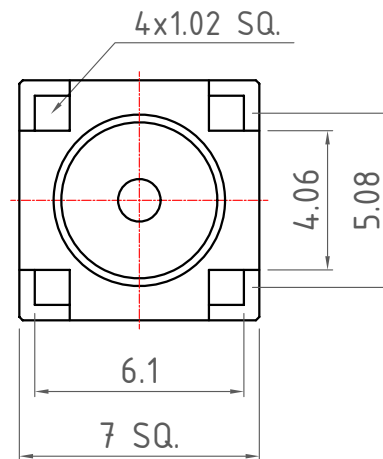
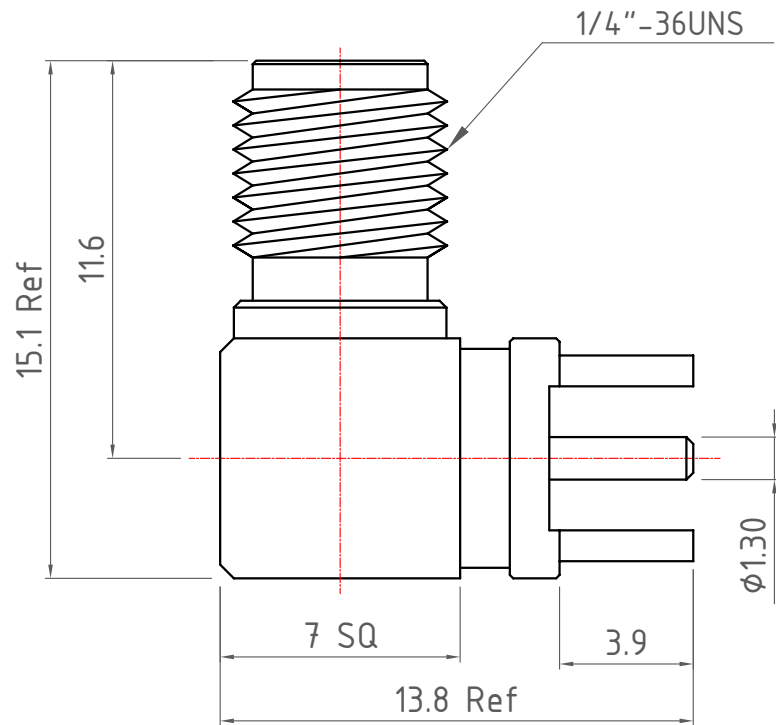


Revisions

Note: Revisions B; B-1; B-2..... On Behalf of Official Drawing.  
 Revisions 1; 2; 3; 4..... On Behalf of Experiment's Drawing.

ISS	Symbol	Description	Date
B		CHE for New Drawing Frame & New PN System	2006/07/10



Recommended PCB Layout

\*Change new drawing frame in Blue Color since 2009/07/01 , to comply with Company CIS Policy.

RoHS COMPLIANCE

ITEM	Description	Material	Finish	Part Number	QTY
6					
5					
4					
3	Pin	P. Bronze	Gold		
2	Insulator	PTFE	None		
1	Body	Brass	Gold		

Scale	Abbr.	Date	Rev.
NTS	ST	2010/06/15	B
Tolerances : .X ±0.2 .XX ±0.1 .XXX±0.05			
 All Dimensions in mm (Unless Otherwise Specified)			
Drawn	Checked	Approved	
Mark	Ryan	G. Sun	
2010/06/15	2010/06/15	2010/06/15	

**Proprietary Note**  
 This document contains information proprietary to S-Conn, which is either copyrighted, or patent applied for, and / or protected by trade secret laws.  
 This document or parts thereof, may not be used disclosed or reproduced in any form by any method, or for any purpose, without the written permission of S-Conn, Taiwan

DWG.NO.  
**S209A0G02**

TITLE.  
**SMA R/A Jack, PCB Type**

Customer P/N:

**S-Conn Enterprise Co., Ltd.**  
 ISO 9001 Certified