

SPECIFICATION SHEET

規格圖面

RoHS Compliant
環保品

提出年月日 Date of application

2010 08 26
(year) (month) (date)

CUSTOMER (客戶)

INCOMP INTERNATIONAL LTD.

品名

Description:

TOROIDAL COIL

顧客品番

CUST. Part Number:

CEC品番

CEC Part Number:

RB42906206

規格圖面提出區分 CLASSIFICATION OF SPEC. PRESENTATION. (Tick the relevant box " ✓ ")

- 新規 New application
 新規部品追記 New part(s) is added to accepted specification
 即存規格圖變更 Revision of accepted specification

備考 Note

蓋上確認後,請返御一份給我公司. Please send us the specification with acceptance stamp.

客戶受領印 (ACCEPTANCE STAMP)



高雅線圈制品有限公司

COILS ELECTRONIC CO., LTD.

承認 APPROVAL	審查 CHECK	作成 PREPARE

SPECIFICATION

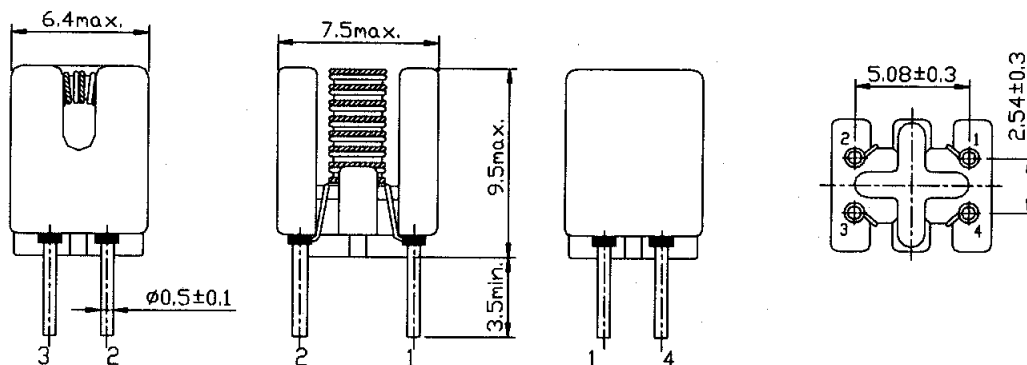
CUSTOMER : INCOMP INTERNATIONAL LTD.
 CUS. PART NO. :
 COILS PART NO. : RB42906206
 DATE : 2010/08/26

APPROVED BY

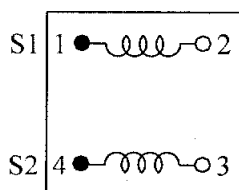
1. MATERIALS , WINDING

CORE	EHF60 (or equivalent)	BASE	PHENOLIC
URNS (Ref.)	(1-2) 16 Ts (4-3) 16 Ts	WIRE	Ø0.23 mm (2UEW)

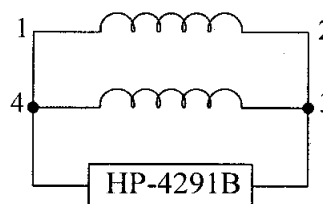
2. DIMENSIONS (UNIT : mm)



3. CONNECTION (BOTTOM)



TESTING METHOD



4. CHARACTERISTICS

ITEM	SPEC.	TESTING CONDITIONS	MEASUREMENT INSTRUMENTS
INDUCTANCE (1-2) (4-3)	80 μ H \pm 35%	1kHz/5mA	HP-4284A
Rdc (1-2) (4-3)	70m Ω Max.	at 25°C	HP-34420A
IMPEDANCE (1,4-2,3)	1300 Ω Typ.	100MHz	HP-4291B
RATED CURRENT (1-4)	1.0A Max.	Δ T=40°C Short 2,3	HP-E3632A HP-34420A

5. REMARKS:

- * INSULATION RESISTANCE: MORE THAN 10M Ω /DC100V BETWEEN WINDING AND WINDING
- * DIELECTRIC STRENGTH: NO ABNORMALITY WHEN APPLY DC 250V/1mA BETWEEN WINDING AND WINDING FOR 1 MINUTE.
- * RATED VOLTAGE:50V
- * LEAD WILL BE PRESENT IN THE FERRITE CORE OF THE FRIT MATRIX IN THE COMPONENT. THIS USE, IS EXEMPT FROM RoHS LEGISLATION PER THE ANNEX (ITEM 7), WHICH REFERS TO "LEAD IN ELECTRONIC CERAMIC PART".

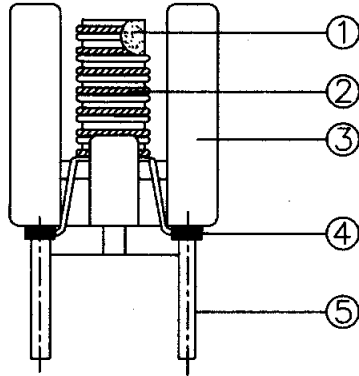
APPROVAL	CHECK	DESIGN	REVISION

SPECIFICATION

RoHS Compliant 環保品

CUSTOMER : INCOMP INTERNATIONAL LTD.	APPROVED BY
CUS. PART NO. :	
COILS PART NO. : RB42906206	
DATE : 2010/08/26	




6. CONSTRUCTION



7. MATERIAL LIST

No.	PARTS	MATERIAL	MANUFACTURE	COUNTRY OF ORIGIN	UL No.	UL FLAME CLASS	TEMP. CLASS
①	CORE	FERRITE CORE EHF60 OR EQUIVALENT	ZHONGSHAN TONICHI FERRITE PRODUCTS CO., LTD.	CHINA	NA	NA	NA
②	WIRE	POLYURETHANE ENAMELLED COPPER WIRE	PACIFIC-THAI ELECTRIC WIRE & CABLE CO., LTD.	THAILAND	E142108	NA	130°C
			JUNG SHING WIRE CO., LTD.	CHINA TAIWAN	E174837	NA	130°C
			TA YA ELECTRIC WIRE FACTORY	CHINA	E197768	NA	130°C
③	BASE	PHENOLIC (PM9820) OR EQUIVALENT	SUMITOMO BAKELITE CO., LTD.	JAPAN	E41429	94V-0	150°C
④	SOLDER	Sn99.3-Cu0.7 OR EQUIVALENT	ALPHA METALS LTD.	CHINA HONG KONG	NA	NA	NA
			YUNNAN TIN CORPORATION LTD.	CHINA	NA	NA	NA
⑤	LEAD PIN	H.C.P OR EQUIVALENT	WELL FORE SPECIAL WIRE CORPORATION	CHINA	NA	NA	NA
	COATING	EPOXY (AQUA) OR EQUIVALENT	BO-RONG SPECIALITY CHEMICAL (HUI ZHOU) CO., LTD.	CHINA	NA	NA	NA
			BOSHENG C OMPOUND MATERIAL CO., LTD	CHINA	NA	NA	NA

* NA: NOT APPLICABLE.

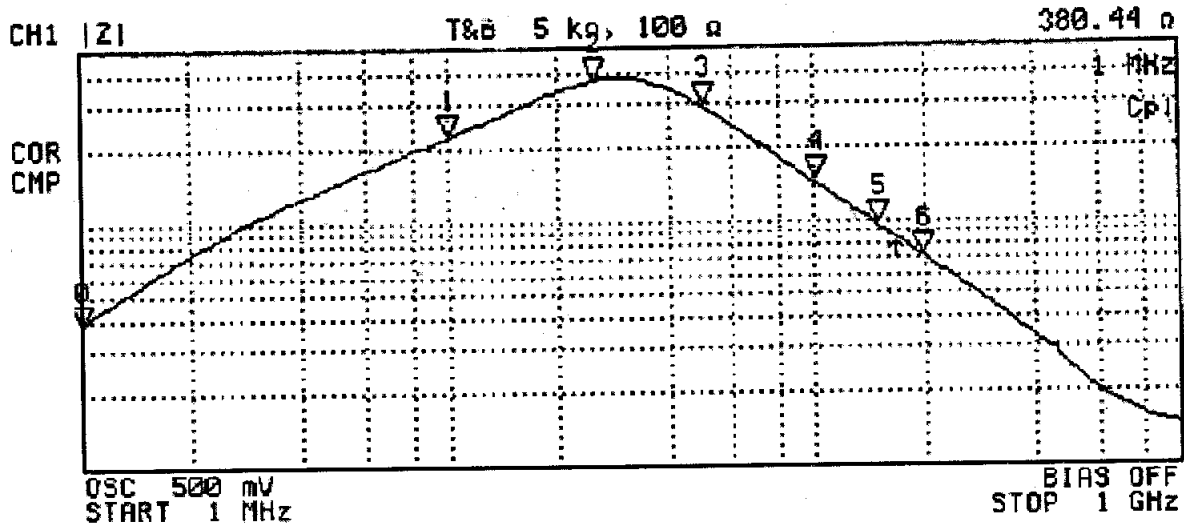
APPROVAL	CHECK	DESIGN	REVISION
			

SPECIFICATION

CUSTOMER : INCOMP INTERNATIONAL LTD.	APPROVED BY
CUS. PART NO. :	
COILS PART NO. : RB42906206	
DATE : 2010/08/26	

8. FREQUENCY Vs IMPEDANCE (TYPICAL VALUE).

TESTING INSTRUMENT : (HP-4291B).



N	STIMULUS	VAL
0	1 MHz	380.44 Ω
1	10 MHz	2.1882 kΩ
2	25 MHz	3.7011 kΩ
3	50 MHz	2.9006 kΩ
4	100 MHz	1.4388 kΩ
5	150 MHz	947.38 Ω
6	200 MHz	703.39 Ω

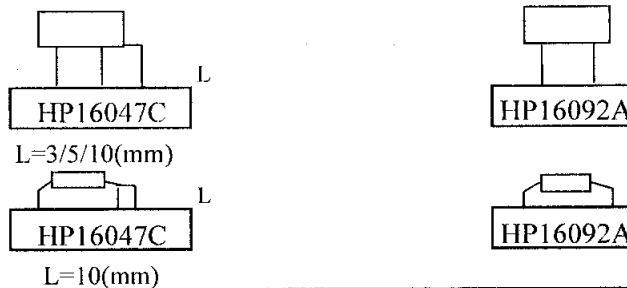
APPROVAL	CHECK	DESIGN	REVISION

ELECTRICAL CHARACTERISTIC INSPECTION REPORT

2010-8-26

CUSTOMER: INCOMP INTERNATIONAL LTD.					CUST. P/N :	
					CEC. P/N : RB42906206	
ITEM	L (uH)	Rdc (mΩ)	Z (kΩ)	INSULATION RESISTANCE	HI-POT (DC)	RATED CURRENT(A)
	(1 - 2) & (4 - 3)		(1,4)-(2,3)	WINDING - WINDING	(1-4) I (ΔT= 40 °C)	
SPEC.	80.0 ± 35 % (52 ~ 108)	80 Max.	1.3 Typ.	10MΩ Min.	250V / 1Minute.	1.0 Max.
1	72.3	65.1	1.14	PASS	PASS	1.25
2	71.1	59.5	1.12	PASS	PASS	
3	75.0	63.5	1.09	PASS	PASS	
4	72.9	64.5	1.14	PASS	PASS	
5	74.0	59.6	1.12	PASS	PASS	
Max .	75.0	65.1	1.14			
Min .	71.1	59.5	1.09			
R	3.90	5.60	0.05			
X	73.06	62.44	1.122			
TESTING FREQUENCY	1kHz / 5mA		100MHz	DC100V	50Hz / 1mA	SHORT 2,3

TESTING DIAGRAM :



TESTING INSTRUMENT :

- | | |
|--|--|
| 1. Q METER <input type="checkbox"/> MQ-1601
2. L.C.R. METER <input type="checkbox"/> LCR-745
<input checked="" type="checkbox"/> IHP-4284A
<input type="checkbox"/> HP-4285A
<input type="checkbox"/> HP-4262A
3. L.C.Z. METER <input type="checkbox"/> HP-4277A
4. MULTIMETER <input checked="" type="checkbox"/> HP-34420A
5. DC POWER SUPPLY METER <input checked="" type="checkbox"/> HP-E3632A
6. THEROMETER <input type="checkbox"/> TES1310 | 7. IMPEDANCE ANALYZER <input type="checkbox"/> HP-4191A
<input checked="" type="checkbox"/> HP-4291B
<input type="checkbox"/> HP-4395A
<input type="checkbox"/> HP-4294A
8. BIAS CURRENT SOURCE <input type="checkbox"/> HP-42841A
9. MICRO-OHM METER <input type="checkbox"/> KEITHLEY 580
<input checked="" type="checkbox"/> HP-34420A
10. NETWORK ANALYZER <input type="checkbox"/> HP-8753C
11. DIELECTRIC ANALYZER <input checked="" type="checkbox"/> ZT-9053 |
|--|--|

TESTING CONDITION :

TEMPERATURE : 28.6 °C

HUMIDITY : 42 %

APPROVED	CHECKED	TESTED

PACKAGE SPECIFICATION

CUSTOMER : INCOMP INTERNATIONAL LTD.

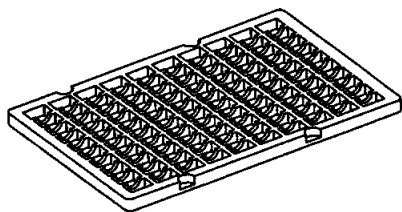
COILS P/N. : RB42906206

CUS. P/N :

DATE : 2010/08/26

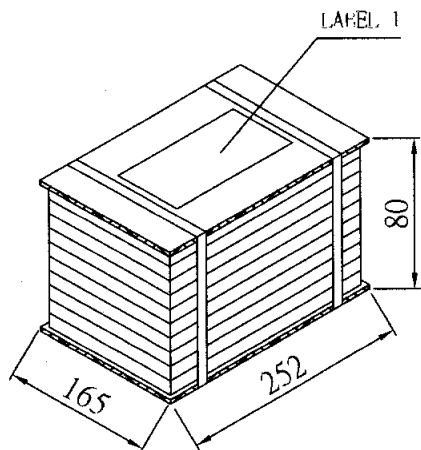
Dimensions (Ref.) : mm

1. $\frac{100 \text{ Pcs/Unit}}{100 \text{ 粒 / 片}}$



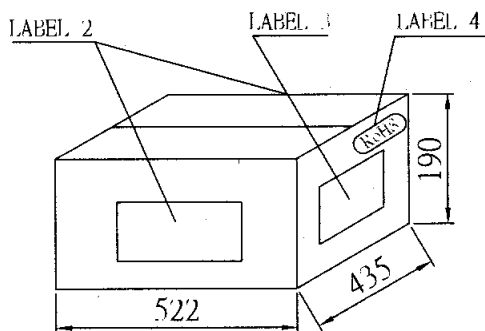
吸塑盒編號 : KB35

2. $\frac{10 \text{ Units/Bundle Total 1,000 Pcs}}{10 \text{ 片 / 扎 共 1,000 粒}}$



3. Carton
紙箱

$\frac{10 \text{ Bundles/Carton Total 10,000 Pcs}}{10 \text{ 扎 / 箱 共 10,000 粒}}$



*Above dimensions are the inner dimensions of carton.
以上標示尺寸皆為紙箱的外尺寸,紙箱採用三坑紙。

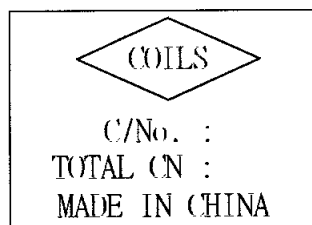
LABEL 1



高錒線圈製品有限公司
COILS ELECTRONIC CO., LTD.

Customer	
Description	
E/O No.	
Customer Part No.	
Quantity	Pcs.
Lot No.	

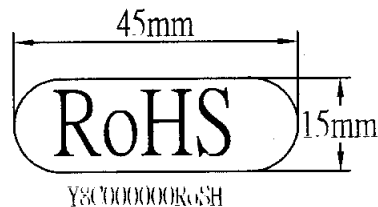
LABEL 2



LABEL 3

LOT NO.	
COILS P/N	
P/O#:	
Cust. P/N:	
QTY:	

LABEL 4



APPROVAL	CHECK	DESIGN



COILS ELECTRONIC CO., LTD.

FM-01-01-0009(R-1.0)