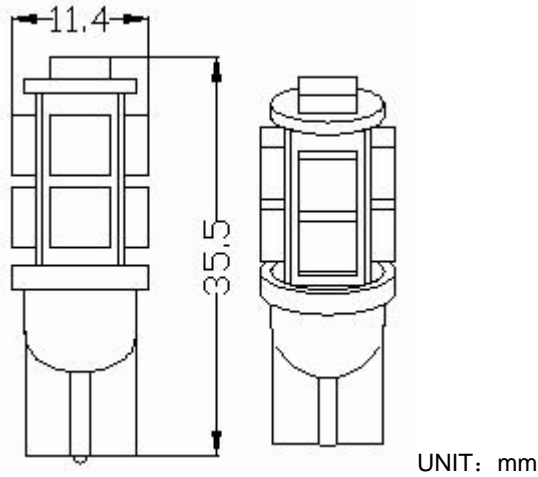


SPECIFICATION

DESCRIPTION: 9SMD5050 PART NO: SMD5050 T10-9LED

(A) Electronics And Optical Characteristics: Ta=25°C:

Emitting Color	Forward Voltage Unit: V	Totality Luminous Intensity Unit:LM	Single LED Intensity Unit: mcd	Dominant Wavelength Unit: nm	Viewing Angle Unit: deg	Color Temperature Unit: K
R	12	11.7-14.4	1200-2000	620-630	120	-----
Y	12	17.6-19.8	1500-2500	580-590	120	-----
B	12	8.1-9	800-1500	460-475	120	-----
G	12	48.6-54	1600-2400	520-525	120	-----
W	12	50-54	4000-6000	-----	120	6000-7000
WW	12	50-54	4000-6000	-----	120	2700-3500
CW	12	50-54	4000-6000	-----	120	6000-7000
Test Condition	Test Voltage: 12V		Current: 60 mA±10%	Power: 1.2 W		
IR max:	10μA /per chip	VR=5V /per chip				



(B) Absolute Maximum Ratings AT Ta=25°C

PARAMETER	MAX	UNIT
Continuous Forward Current	20	mA /per chip
Peak Forward Current (1/10 Duty Cycle 0.1ms Pulse Width)	100	mA /per chip
Reverse Voltage	5	V /per chip
Operating Temperature Range	-30°C to +75°C	

Storage Temperature / humidity Range	-40°C to +100°C/40%to70%
Lead Solder Temperature 1.6mm Below Package 260°C For 5 seconds	