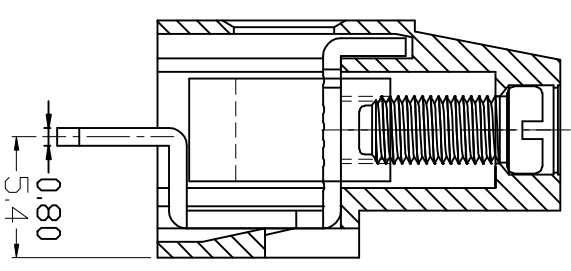
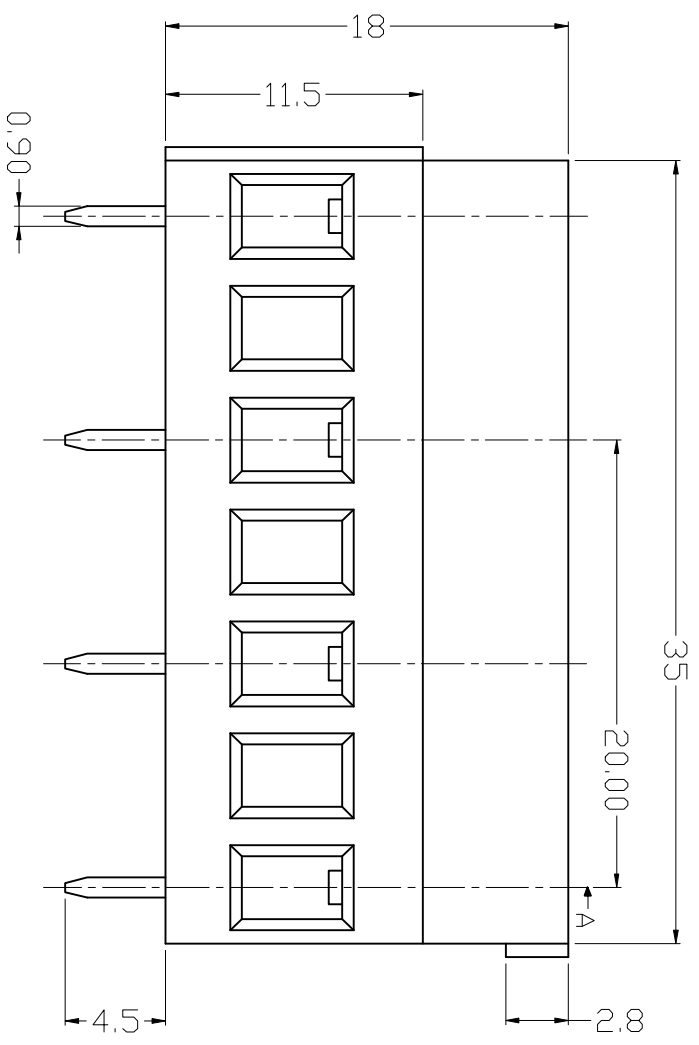
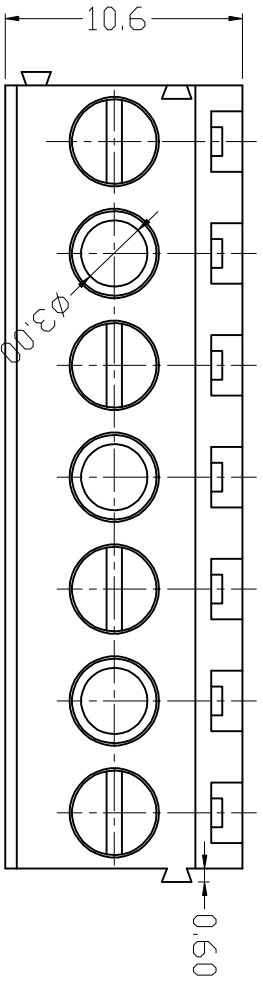


REV	DESCRIPTION	DRAWN	CHECKED	APPROVED
A				



**-MATERIAL**  
 SCREWS : M3 STEEL ZINC PLATED  
 CONTACT : BRASS  
 PIN HEADER : BRASS, TIN PLATED  
 HOUSING : PA66, UL94V-0

**-ELECTRICAL**  
 RATED VOLTAGE : 300V  
 RATED CURRENT : 25A  
 CONTACT RESISTANCE : 20mΩ  
 INSULATION RESISTANCE : 5000MΩ/1000V  
 WITHSTANDING VOLTAGE : AC1500V/1Min  
 WIRE RANGE : 24-12AWG 1.5mm<sup>2</sup>

**-MECHANICAL**  
 TEMP. RANGE : -40°C~+105°C  
 MAX SOLDERING : +250°C, FOR 5 SEC.  
 ORQUE : 0.4Nm(3.6lB.IN)  
 STRUO LEBGTG : 6-7mm

GENERAL TOLERANCE		ANGLE TOLERANCE		PROJECTION		TITLE	
X.	±0.20	X.	±2°	UNITS	mm	KF129V-10.0	
.X	±0.15	.X	±1°	SHEET SIZE	A4	SERIES KF129 SERIES	
.XX	±0.10	.XX	±0.5°	DRAWING TYPE COMPONENTS			
SCALE 1:1		SHEET 1 OF 1		DRAWING NO.			

**KF** 慈溪市凯峰电子有限公司  
 KAIFENG ELECTRONIC CO.,LTD