

# SMD Crystal Resonators / MHz Band Crystal Resonators

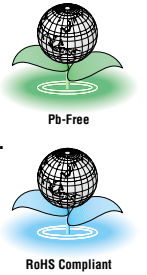
## SMD-49



Actual size

### ■ Features

- A surface mount version of the AT-49.
- High reliability by a hermetically sealed metal package.
- Correspond to automatic mounting and reflow soldering.

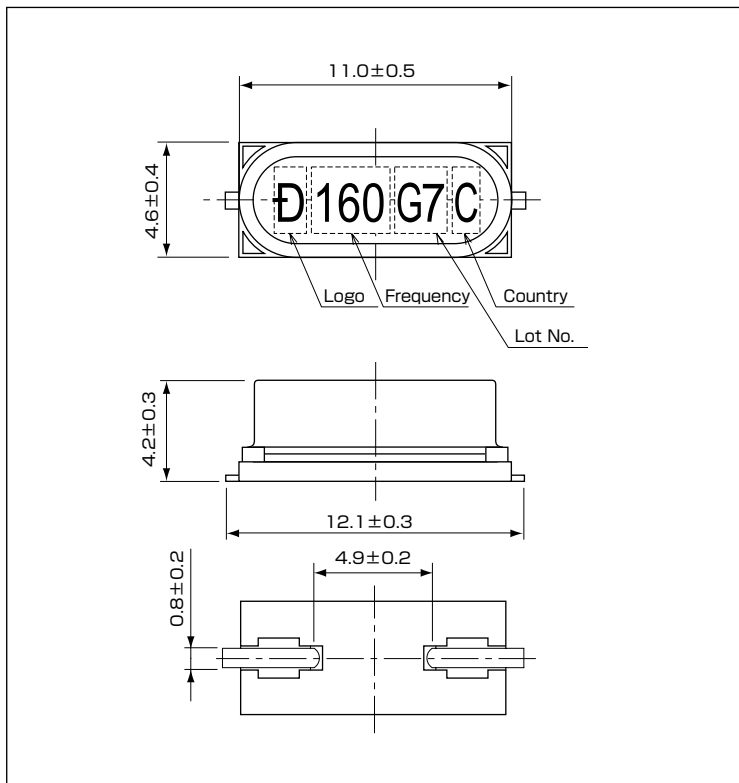


### ■ Standard Specification

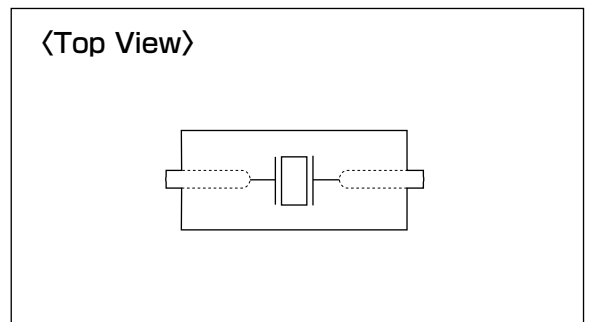
| Item                                       | Type | SMD-49   |                 |
|--|------|--|-----------------|
| Frequency Range                            |      | 3.072~33.9MHz  | 26~70MHz        |
| Overtone Order                             |      | Fundamental  | 3rd overtone    |
| Load Capacitance                           |      | Series, 8pF, 10pF, 12pF, 16pF                            |                 |
| Drive Level                                |      | 10μW (300μW max.)  | 50μW (1mW max.) |
| Frequency Tolerance                        |      | ±50×10 <sup>-6</sup> , ±100×10 <sup>-6</sup> ( at 25°C ) |                 |
| Series Resistance                          |      | 40~300Ω max.   |                 |
| Frequency Characteristics over Temperature |      | ±50×10 <sup>-6</sup> / -10~+60°C                         |                 |
|  |      | ±100×10 <sup>-6</sup> / -30~+80°C                        |                 |
| Storage Temperature Range                  |      | -40~+85°C  |                 |
| Packing Unit                               |      | 1000pcs./reel (φ330)                                     |                 |
| Standard Specification                     |      | Refer to page 35   |                 |

Consult our sales representative for automotive and other specifications.

### ■ Dimensions[mm]



### ■ Internal Connections



### ■ Recommended Land Pattern [mm]

