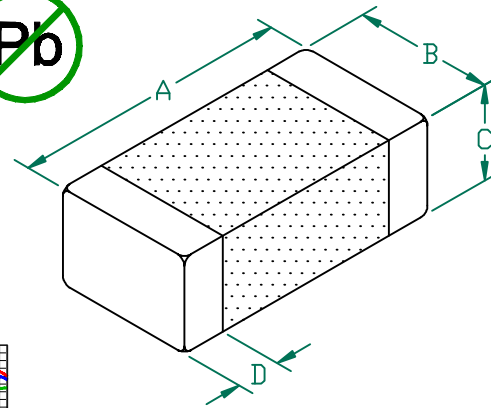


HI1206N101R-10

PHYSICAL DIMENSIONS:

| | | |
|---|-------------|---------------|
| A | 3.20 [.126] | + 0.20 [.008] |
| B | 1.60 [.063] | + 0.20 [.008] |
| C | 1.10 [.043] | + 0.20 [.008] |
| D | 0.51 [.020] | + 0.25 [.010] |

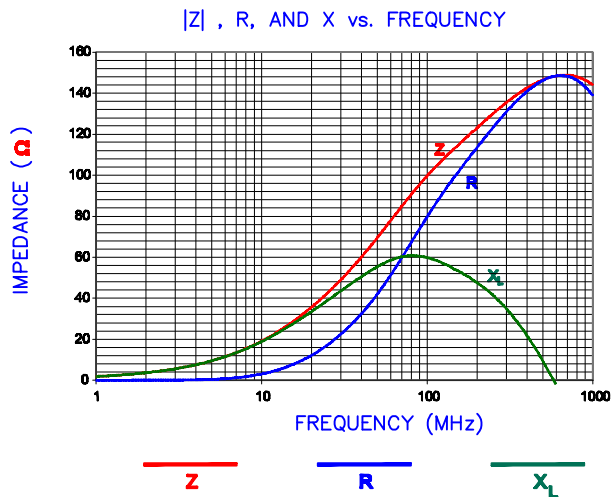
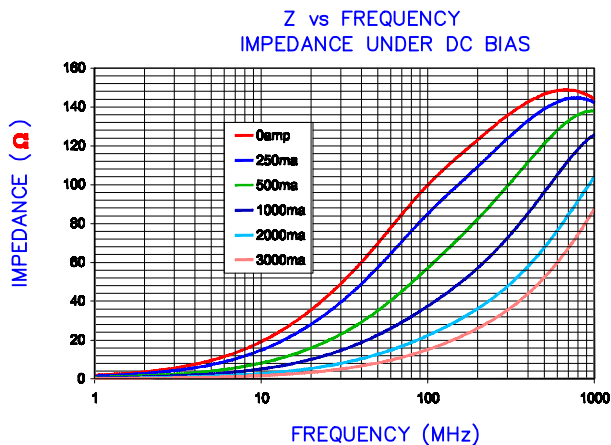


| ELECTRICAL CHARACTERISTICS: | | | |
|-----------------------------|---------------------|---------------|---------|
| Z @ 100MHz (Ω) | DCR (Ω) | Rated Current | |
| Nominal | 100 | | |
| Minimum | 75 | | |
| Maximum | 125 | 0.035 | 3000 mA |

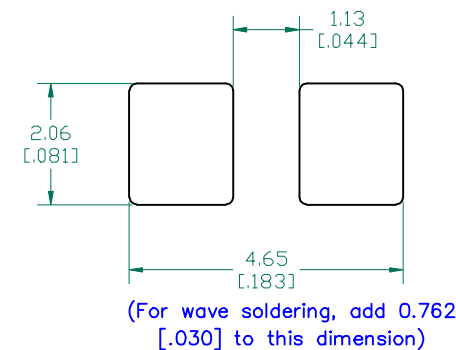
NOTES: UNLESS OTHERWISE SPECIFIED

1. TERMINATION FINISH IS 100% TIN.
2. TAPED AND REELED per CURRENT EIA SPECIFICATIONS 7" REELS, 3,000 PCS/REEL, EMBOSSED PLASTIC TAPE.
3. COMPONENTS SHOULD BE ADEQUATELY PREHEATED BEFORE SOLDERING.

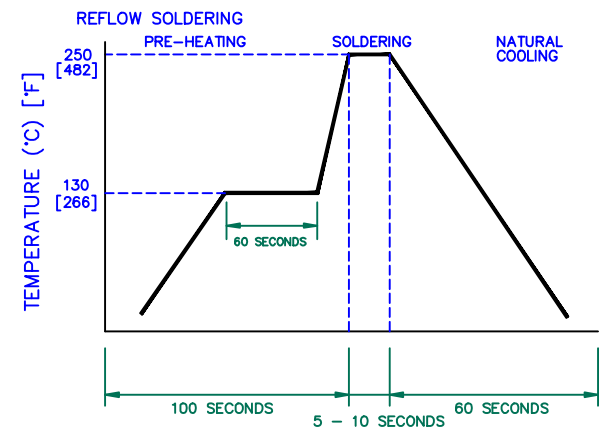
UNCONTROLLED DOCUMENT



LAND PATTERNS FOR REFLOW SOLDERING



RECOMMENDED SOLDERING CONDITIONS



| DIMENSIONS ARE IN mm [INCHES]. | | | | THIS DOCUMENT CONTAINS INFORMATION WHICH IS PROPRIETARY AND CONFIDENTIAL TO STEWARD. NO PRODUCTION OR PUBLICATION OF THIS DOCUMENT IN WHOLE OR IN PART SHALL BE MADE WITHOUT WRITTEN AUTHORIZATION FROM STEWARD. | | | |
|--------------------------------|------------------------------------|----------|-----|--|--|------------|-----------------------|
| | | | | Steward | | | |
| | | | | PROJECT/PART NUMBER: HI1206N101R-10 | | REV D | PART TYPE: CO-FIRE |
| D | ADD ROHS SYMBOL MODIFY NOTE 2 | 01/19/07 | JRK | DATE: 01/12/01 | | SCALE: NTS | SHEET: 2 of 2 |
| C | ADD DC BIAS CURVE COR. LANDPATTERN | 03/07/03 | JRK | DATE: 01/12/01 | | TOOL # - | |
| B | REMOVE NOTE 3 | 09/14/01 | JRK | DATE: 01/12/01 | | | |
| A | ORIGINAL DRAFT | 01/12/01 | BAC | DATE: 01/12/01 | | | |
| REV | DESCRIPTION | DATE | INT | CAD # HI1206N101R-10-D | | | |