



Feature:

- Suitable for LED lighting and LED sign applications
- Protections: Short circuit / Overload / Over Voltage / Over Temperature
- IP67 design for indoor or outdoor installations
- Efficiency: 80%
- 100% full load burn-in test
- Storage temperature: -40-80°C
- Operating temperature: -25-45°C
- Certificate: CE, ROHS
- MTBF: Min250Khrs
- Warranty: One and a half years

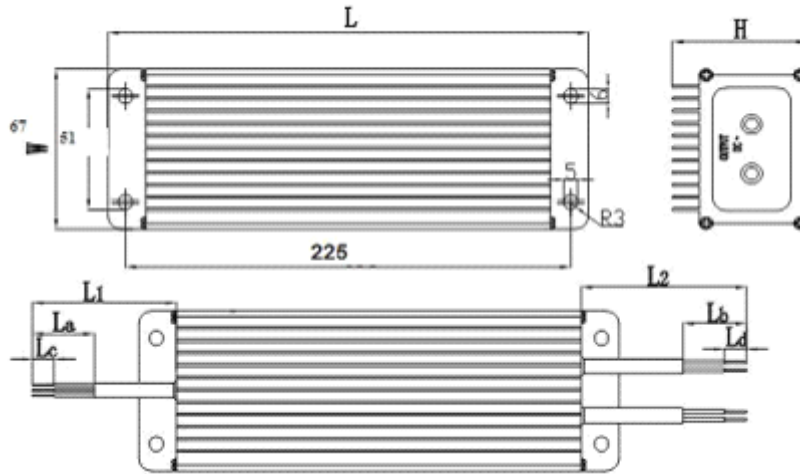


Specification:

Model	GTV-12-100	
OUTPUT	DC Voltage	12±0.5
	Rated power	100W
	Current range	0-8.3A
INPUT	Voltage	170~ 250VAC
	Frequency	47 ~ 63 Hz
	AC Current	1.1A max @220V
	Efficiency (Typ.)	80%
PROTECTION	Overload	20% exceed is allowing
	Short Circuit	Auto recovery
	Over Voltage	≤255V
	Over temperature	≤85°C
OTHERS	Cooling	By convection
	Withstandvoltage	2200VAC
	Dimension/Weight	240*50*67MM/1200g
	Packing/Carton Size	19pcs/carton / 39.3*26*29cm
	Cable	0.75sq.mm. VDE wire 300mm
	Housing Material	Aluminum
SAFETY	CE	Compliance to EN61347-1:2008 / EN61347-2-13:2006
		Compliance to EN55015,2006+A1:2007, EN61547 1995+A1: 2000
		Compliance to EN61000-3-2:2006, N6100-3-3:1995+A1:2001+A2:2005



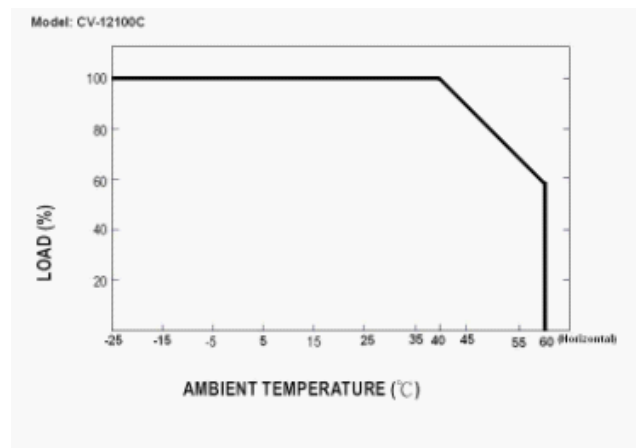
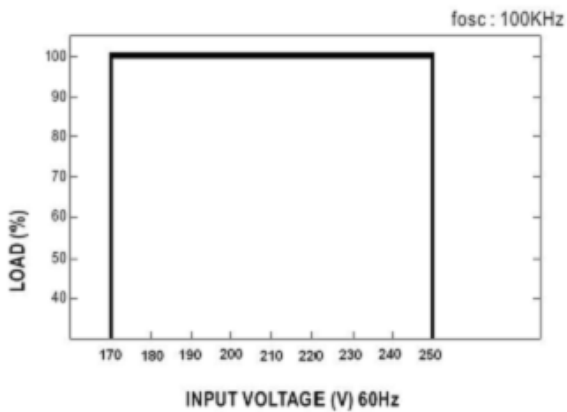
Mechanical Specification



L=240mm H=50mm W=67mm

Derating Curve

Static Characteristic



Note:

1. To be good for the life time, please use no more than 80% rated power, and avoid to use under 24 hours a day without stop.
2. Warranty: 18 months.