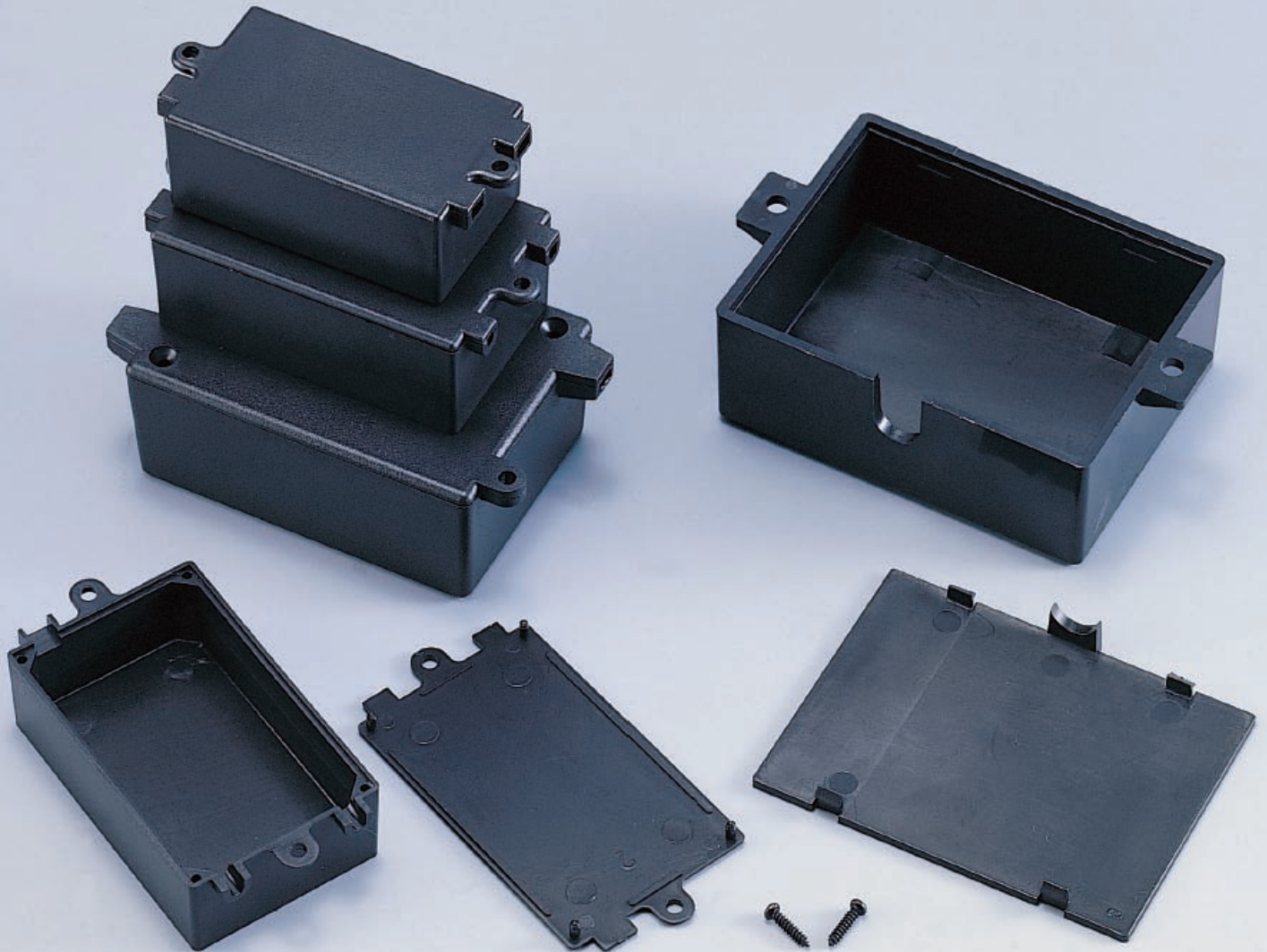


G10XX, TYPE A SERIES

UTILITY BOX



PRODUCT INFORMATION

MATERIAL:

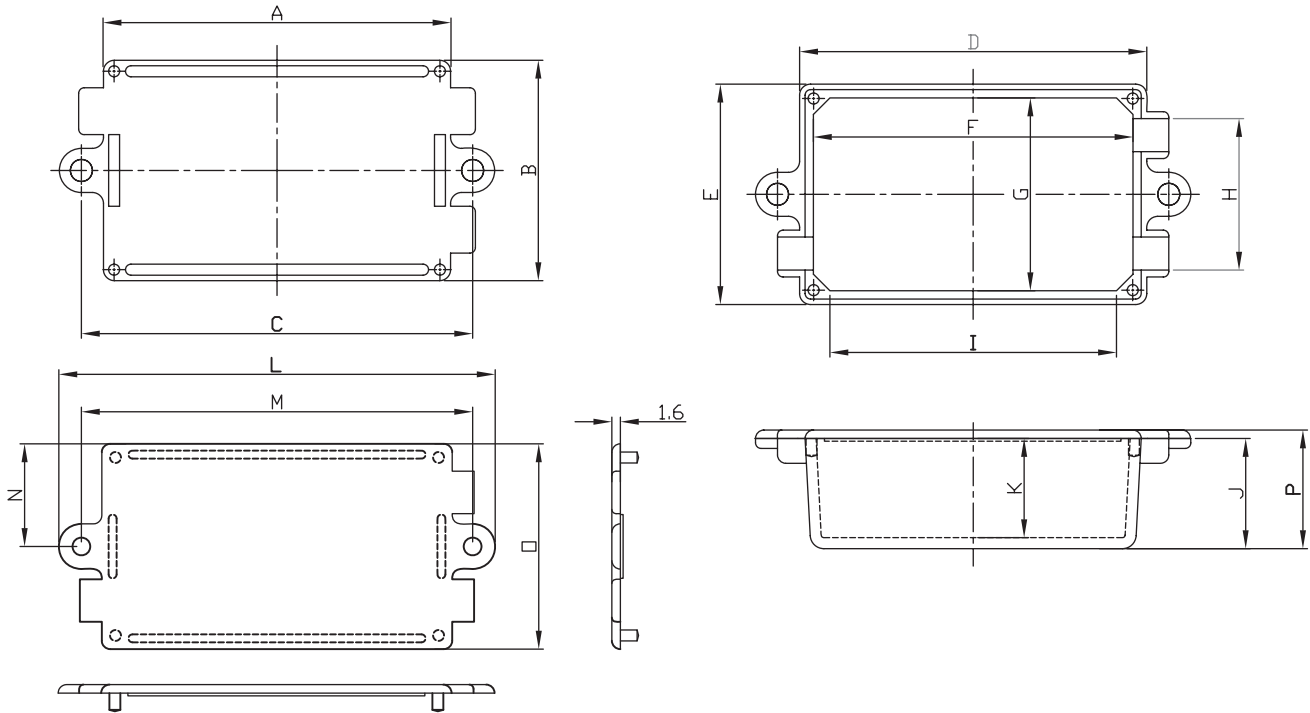
- High-impact ABS UL94-HB plastic, black.

FEATURES:

- With close-fitting interlocking Lid.
- With external mounting brackets.
- With cable outlets.

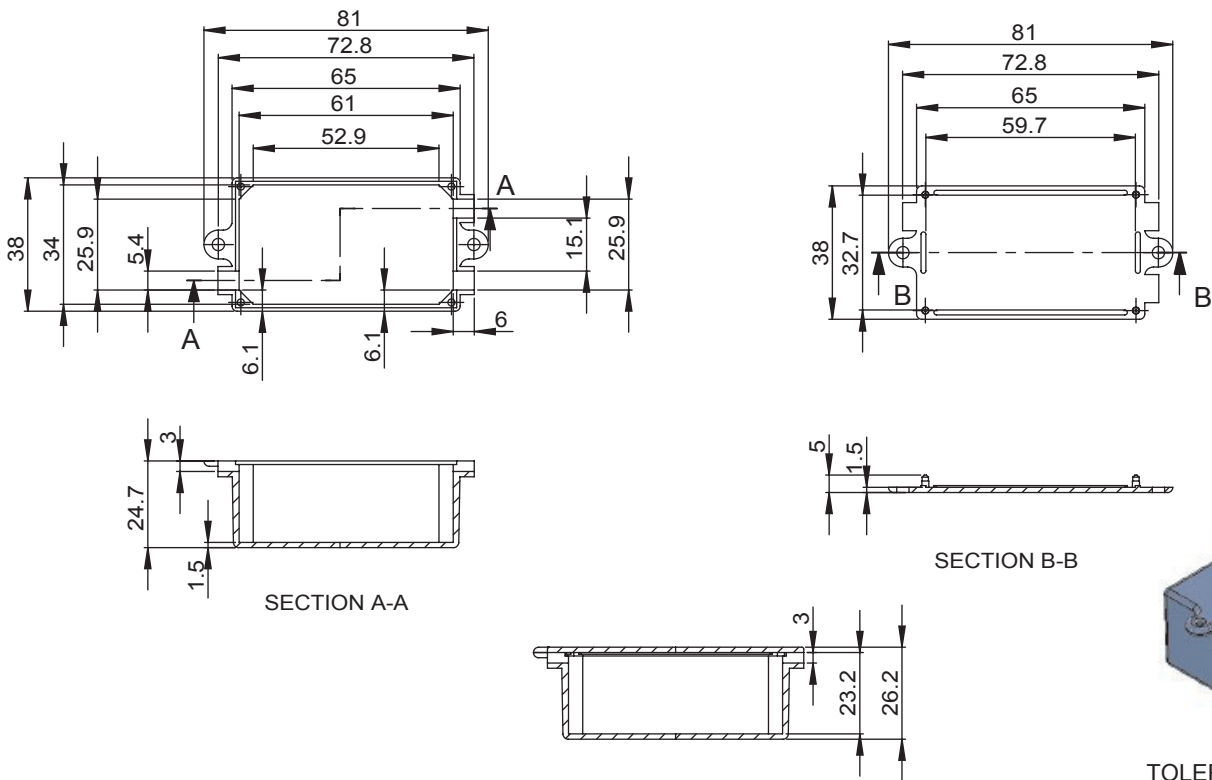
ITEM No.	EXTERNAL DIMENSION(MM)
G1011	65 x 38 x 22
G1013	65 x 38 x 27
G1015	72 x 44 x 22
G1017	72 x 44 x 27
G1018	88 x 68 x 32.7
G1019	82 x 57 x 33

G1011,G1015,G1017



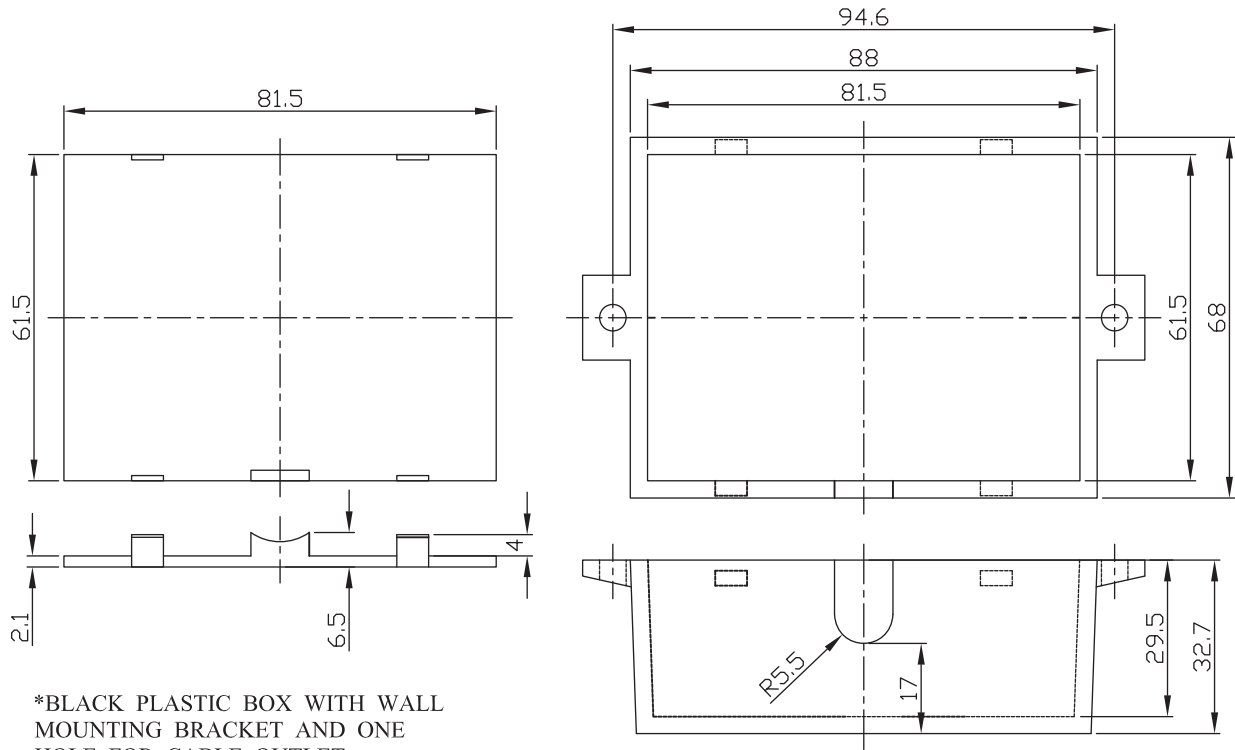
PART NO.	A	B	C	D	E	F	G	H	I	J	K	L	M	N	O	P
G1011	65.0	38.0	72.6	65.0	38.0	60.5	33.5	25.4	52.5	20.0	18.2	81.0	72.6	19.0	38.0	21.6
G1015	72.0	44.0	80.0	72.0	44.0	67.5	39.5	31.3	59.0	20.0	18.2	88.4	80.0	22.0	44.0	21.6
G1017	72.0	44.0	80.0	72.0	44.0	67.5	39.5	31.3	59.0	25.0	23.2	88.4	80.0	22.0	44.0	26.6

G1013



TOLERANCES: +/- 0.30mm

G1018

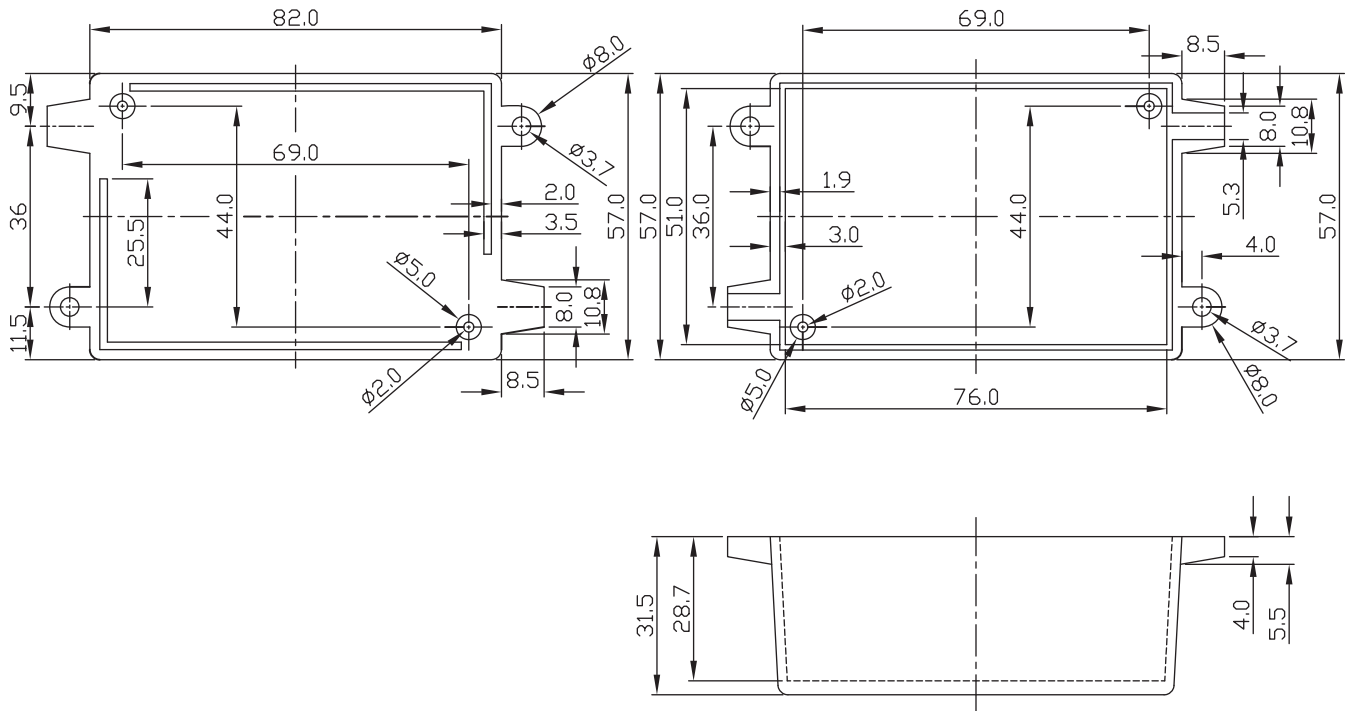


*BLACK PLASTIC BOX WITH WALL MOUNTING BRACKET AND ONE HOLE FOR CABLE OUTLET.

DIMENSION IN (mm)

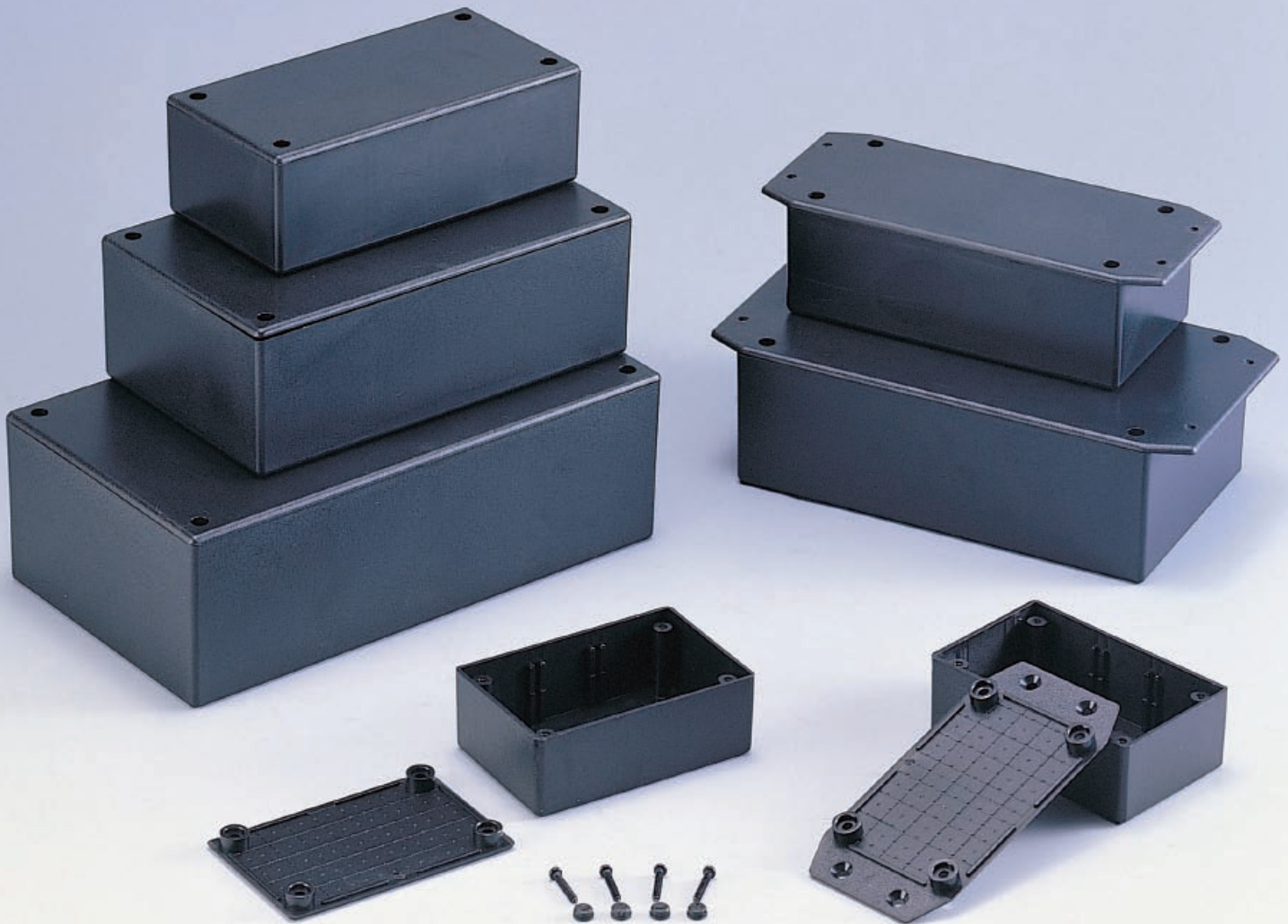
STOCK NO.	LENGTH	WIDTH	HEIGHT
G1018	88.0	68.0	32.7

G1019



G10XX, TYPE B SERIES

NEW SUPER ECON-PLASTIC PLASTIC PROJECT CASES



PRODUCT INFORMATION

MATERIAL:

- High impact ABS plastic UL94-HB.

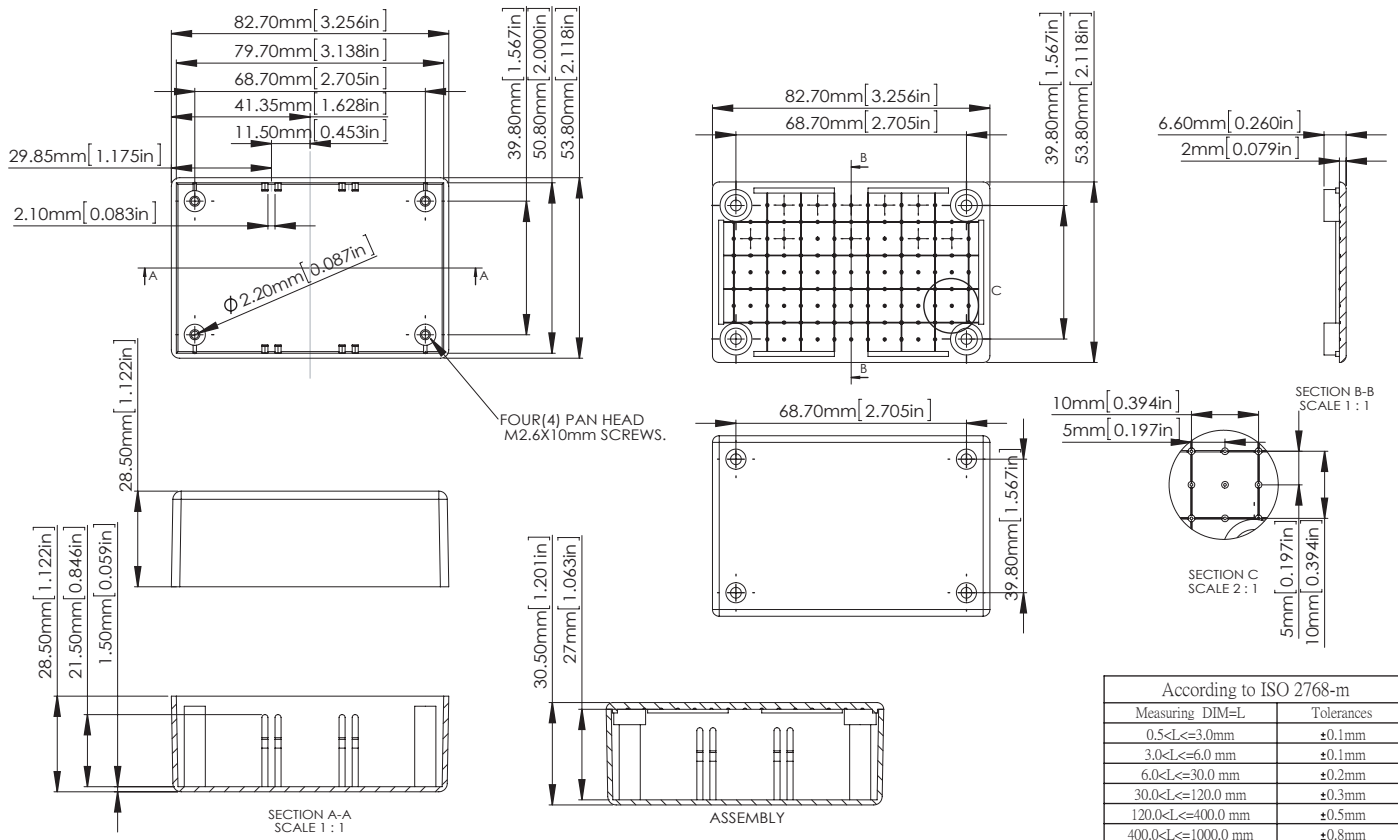
FEATURES:

- The special retaining rails can hold PCB horizontally and vertically.
- There are recessed grids on top lid and bottom for users to make cutouts and central points easily.
- 4 pcs screws and 4 pcs screws plugs are included.

ITEM No.	EXTERNAL DIMENSION(mm)
G1020B	54 X 83 X 30
G1022B	68 X 130 X 44
G1024B	95 X 157.8 X 53
G1025B	113 X 197.4 X 63
G1020BF	54 X 83 X 30
G1022BF	68 X 130 X 44
G1024BF	95 X 157.8 X 53
G1025BF	113 X 197.4 X 63

- Special color is available on request

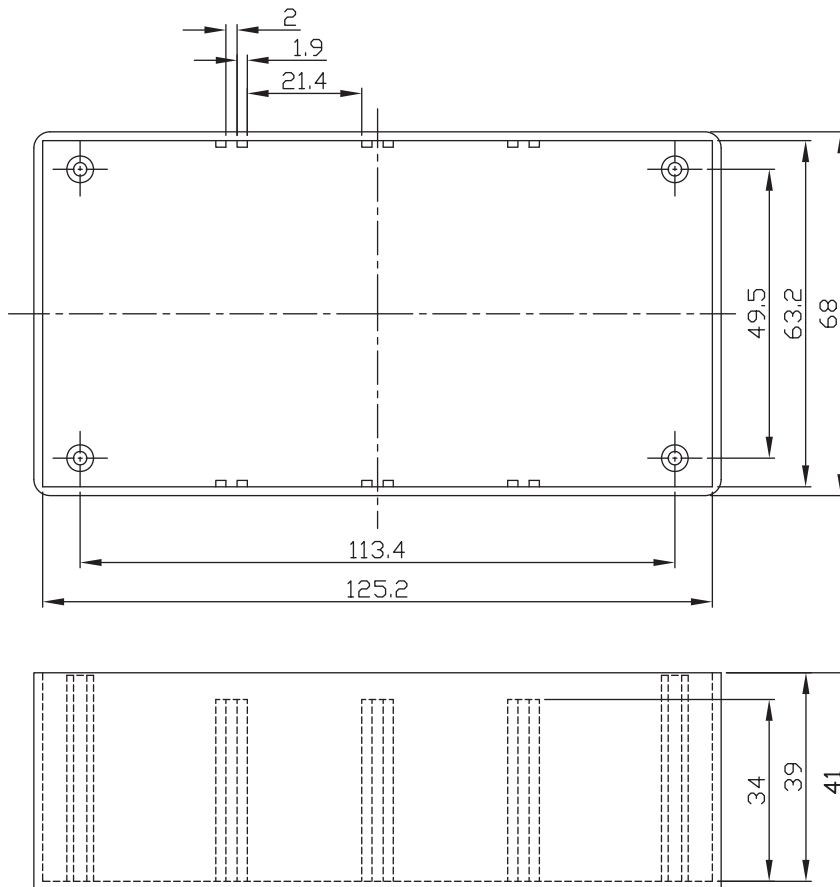
G1020B



According to ISO 2768-m

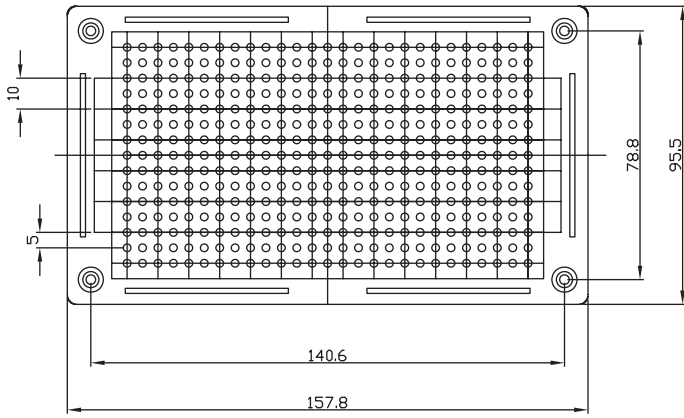
Measuring DIM=L	Tolerances
0.5<L≤3.0mm	±0.1mm
3.0<L≤6.0 mm	±0.1mm
6.0<L≤30.0 mm	±0.2mm
30.0<L≤120.0 mm	±0.3mm
120.0<L≤400.0 mm	±0.5mm
400.0<L≤1000.0 mm	±0.8mm

G1022B

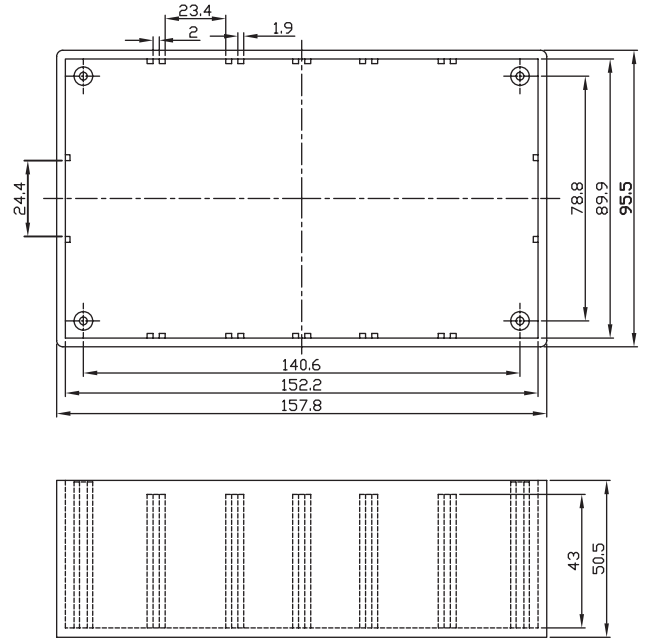


G1024B

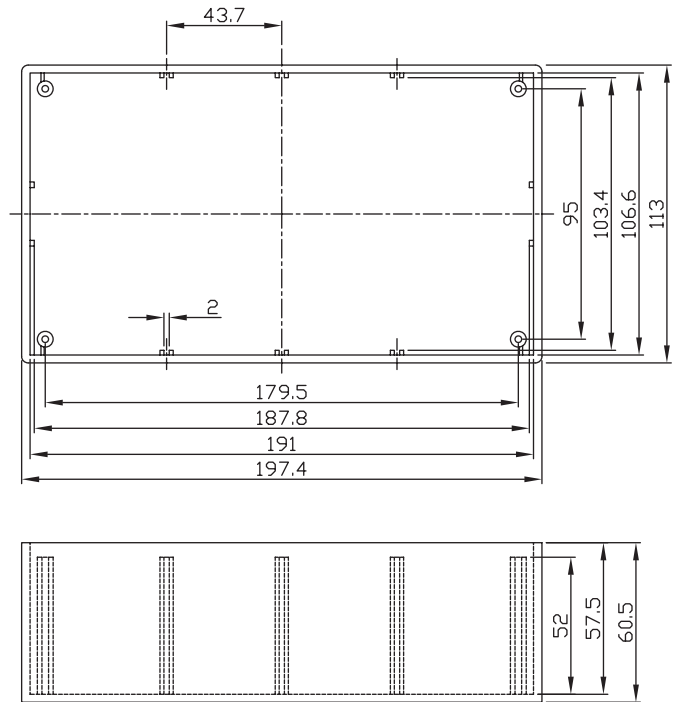
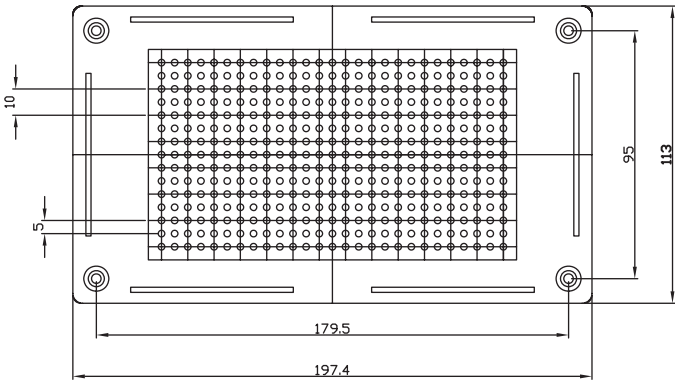
G1024T



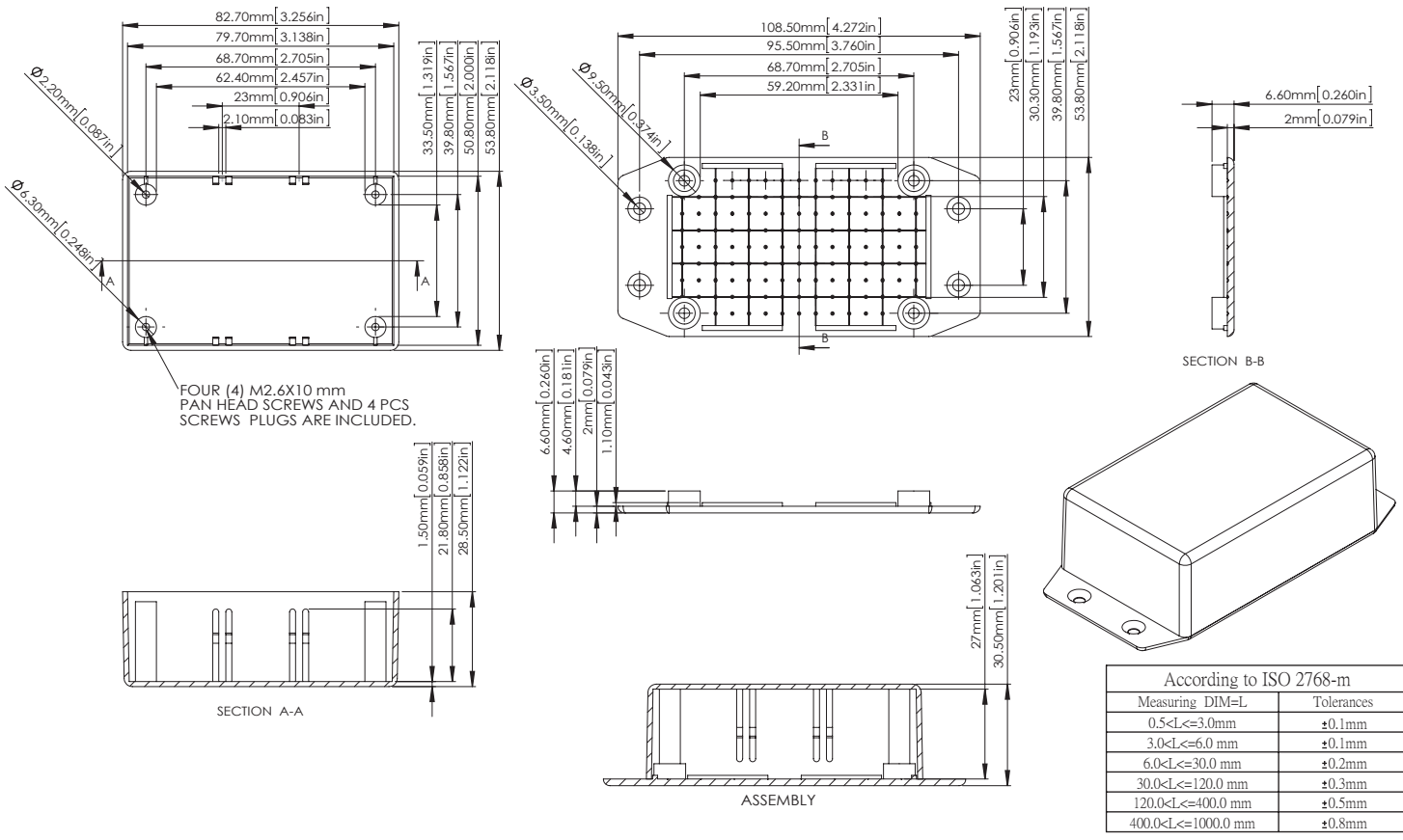
G1024B



G1025B



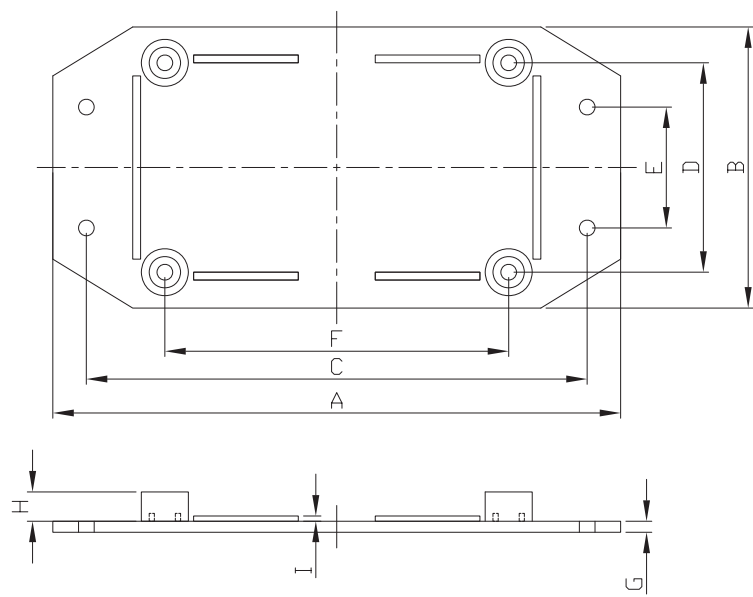
G1020BF



According to ISO 2768-m

Measuring DIM=L	Tolerances
0.5<L≤3.0mm	±0.1mm
3.0<L≤6.0 mm	±0.1mm
6.0<L≤30.0 mm	±0.2mm
30.0<L≤120.0 mm	±0.3mm
120.0<L≤400.0 mm	±0.5mm
400.0<L≤1000.0 mm	±0.8mm

G1022BF / G1024BF / G1025BF



*PLASTIC BOX WITH PLASTIC FLANGED LID FOR WALL MOUNTING.

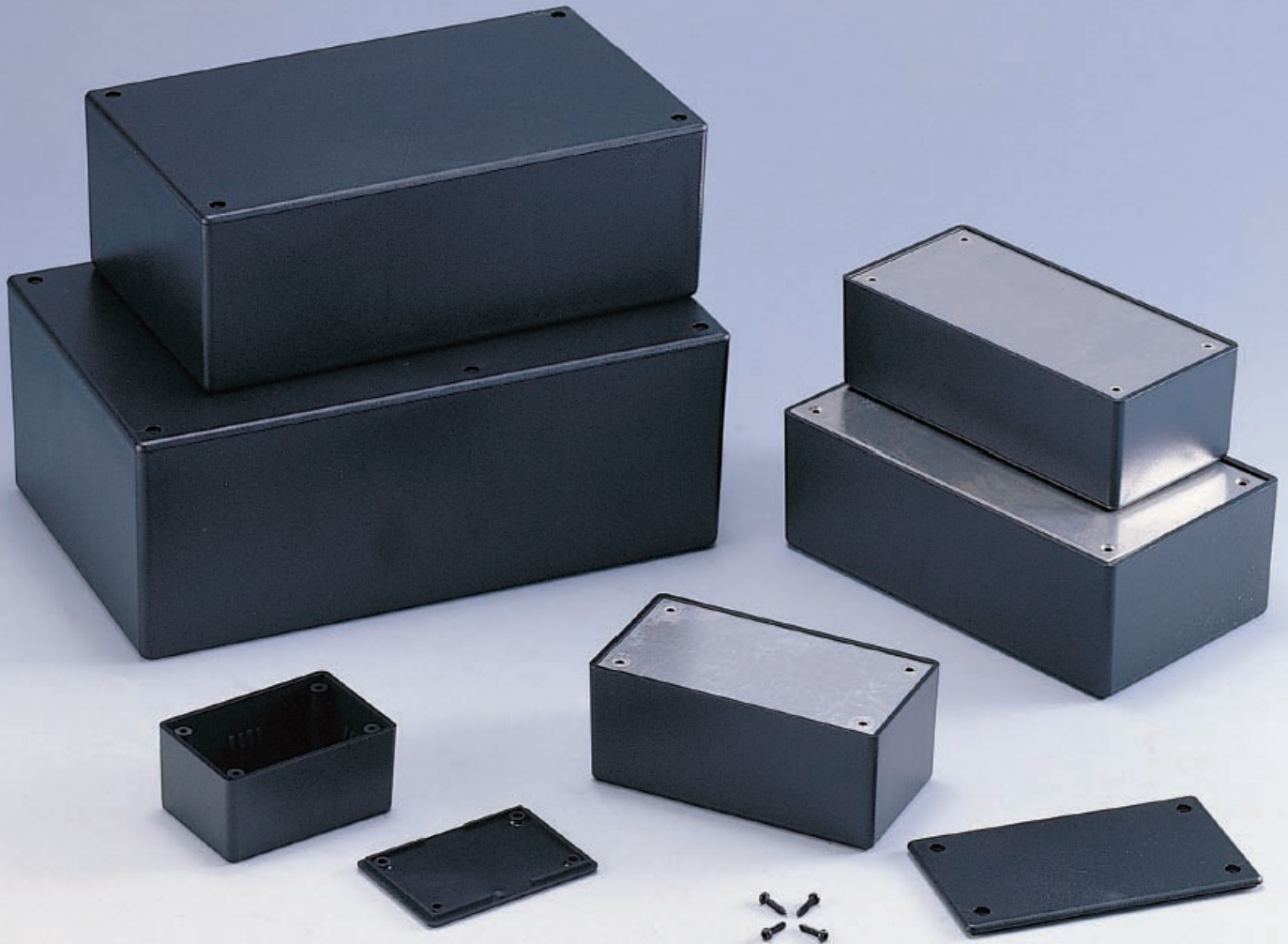
DIMENSION IN (mm)

STOCK NO.	A	B	C	D	E	F	G	H	I
G1022BF	156.0	67.1	143.1	49.5	30.4	113.2	2.6	3.5	1.0
G1024BF	185.7	95.5	171.0	78.8	55.0	140.6	2.6	3.5	1.0
G1025BF	225.0	113.0	211.0	95.0	60.1	179.5	2.8	3.5	1.0

REGARDING THE DIMENSION OF BASE , PLEASE REFER TO DRAWINGS OF G1020 SERIES.

G10XX, TYPE C SERIES

NEW UTILITY BOXES



PRODUCT INFORMATION

MATERIAL:

- High-impact ABS UL94-HB plastic, black.

FEATURES:

- Plastic cover and aluminium cover panel are available.
- Card Guides accept 1.6mm thick card.



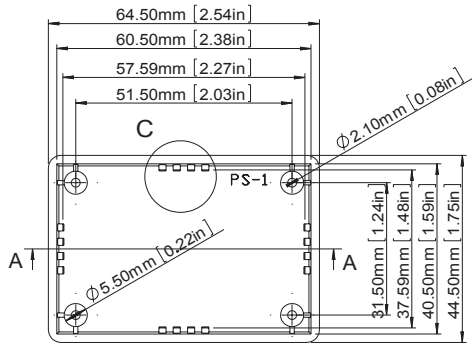
G1032B



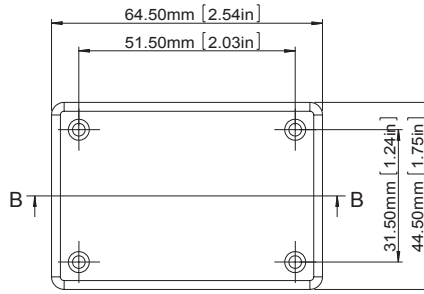
G1032BA

ITEM No.	COLOR		ITEM No.	COLOR		EXTERNAL DIMENSION(mm)
	LID	BASE		LID	BASE	
G1031B	Black		G1031BA	Aluminium Panel	Black	64.0 x 44.0 x 32.0
G1032B	Black		G1032BA	Aluminium Panel	Black	101.0 x 54.0 x 43.8
G1033B	Black		G1033BA	Aluminium Panel	Black	129.0 x 64.0 x 44.0
G1034B	Black		G1034BA	Aluminium Panel	Black	151.0 x 90.0 x 53.2
G1037B	Black		G1037BA	Aluminium Panel	Black	189.0 x 113.0 x 66.6
G1039B	Black		G1039BA	Aluminium Panel	Black	217.0 X 138.0 X 82.2

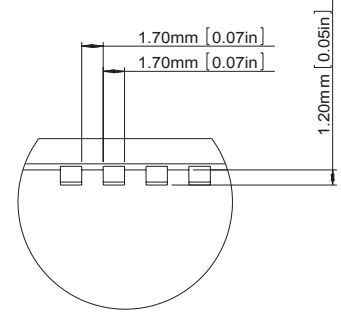
G1031B



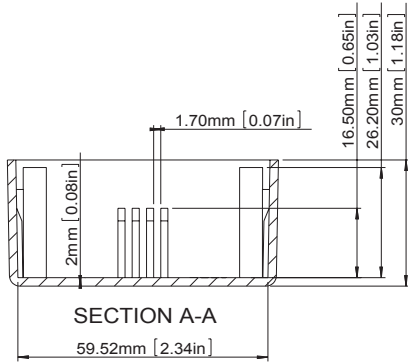
BASE



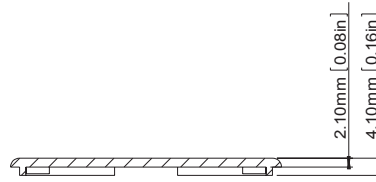
COVER



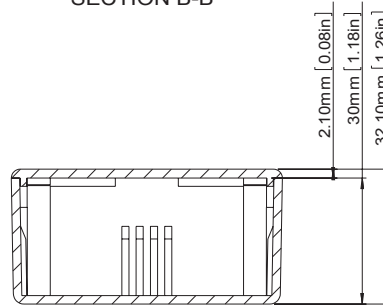
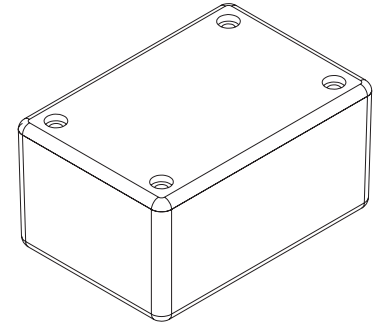
SECTION C
SCALE 3:1



SECTION A-A



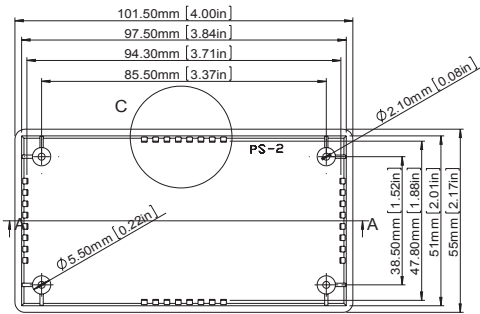
SECTION B-B



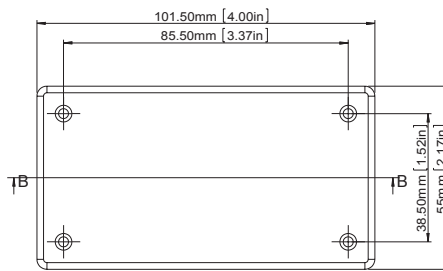
According to ISO 2768-m

Measuring DIM=L	Tolerances
0.5<L<=3.0mm	±0.1mm
3.0<L<=6.0mm	±0.1mm
6.0<L<=30.0mm	±0.2mm
30.0<L<=120.0mm	±0.3mm
120.0<L<=400.0mm	±0.5mm
400.0<L<=1000.0mm	±0.8mm

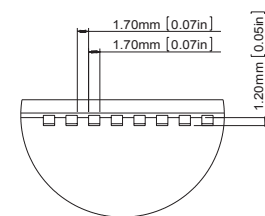
G1032B



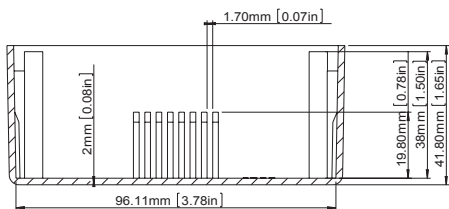
BASE



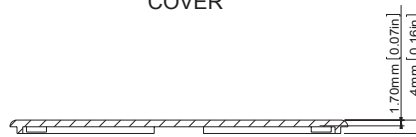
COVER



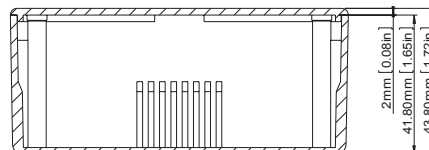
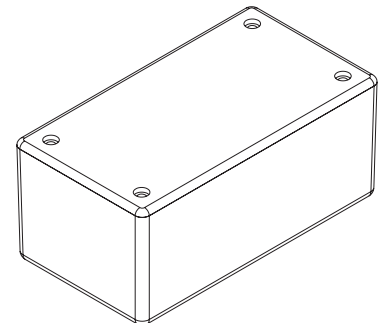
SECTION C
SCALE 2:1



SECTION A-A



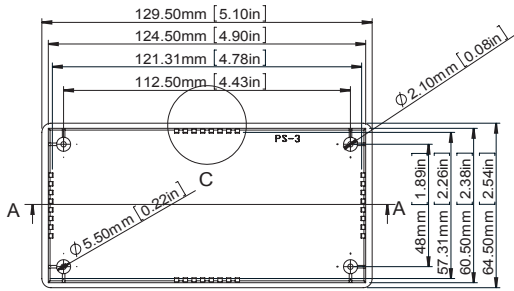
SECTION B-B



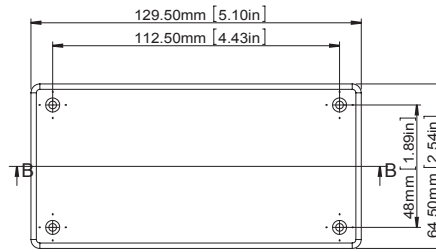
According to ISO 2768-m

Measuring DIM=L	Tolerances
0.5<L<=3.0mm	±0.1mm
3.0<L<=6.0mm	±0.1mm
6.0<L<=30.0mm	±0.2mm
30.0<L<=120.0mm	±0.3mm
120.0<L<=400.0mm	±0.5mm
400.0<L<=1000.0mm	±0.8mm

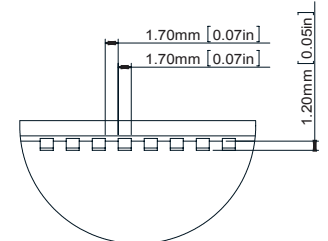
G1033B



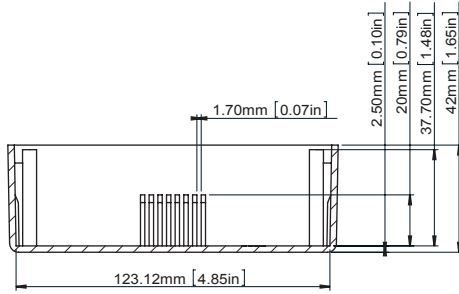
BASE



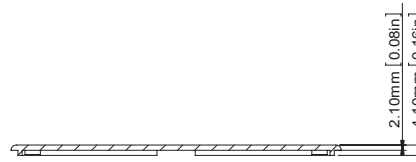
COVER



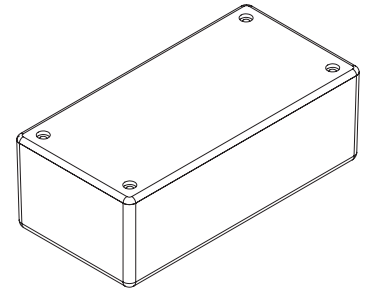
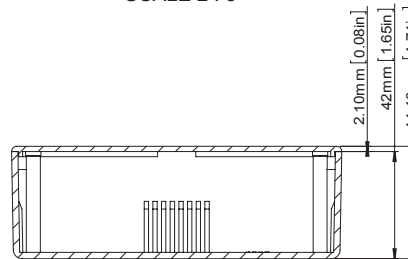
SECTION C
SCALE 2:1



SECTION A-A
SCALE 2 : 3



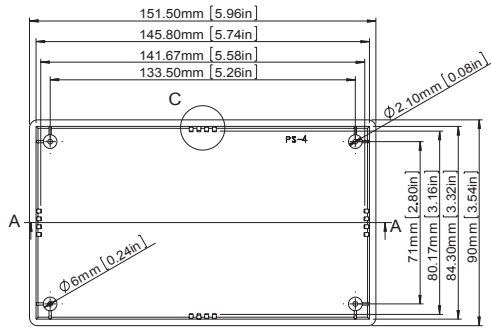
SECTION B-B
SCALE 2 : 3



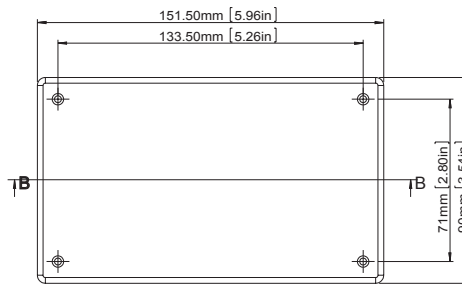
According to ISO 2768-m

Measuring DIM=L	Tolerances
0.5<L<=3.0mm	±0.1mm
3.0<L<=6.0mm	±0.1mm
6.0<L<=30.0mm	±0.2mm
30.0<L<=120.0mm	±0.3mm
120.0<L<=400.0mm	±0.5mm
400.0<L<=1000.0mm	±0.8mm

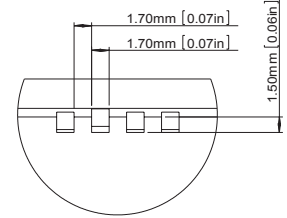
G1034B



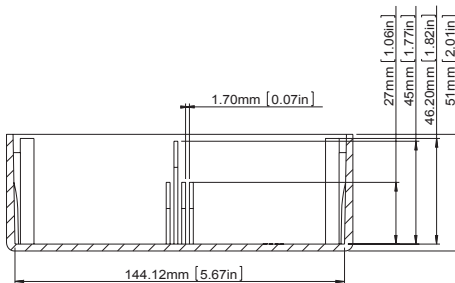
BASE



COVER



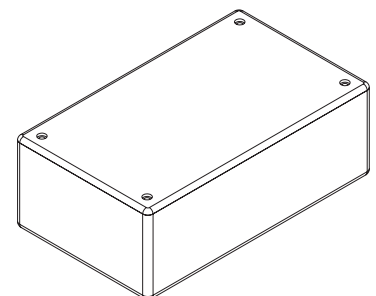
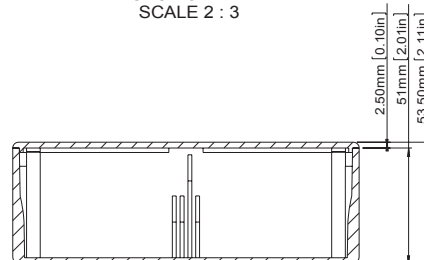
SECTION C
SCALE 3:1



SECTION A-A
SCALE 2 : 3



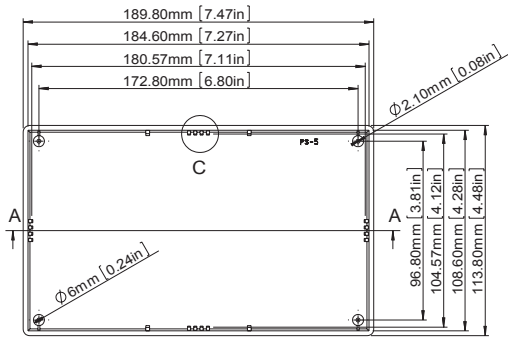
SECTION B-B
SCALE 2 : 3



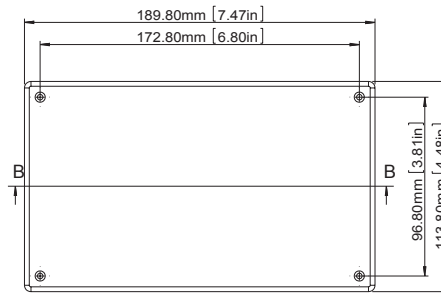
According to ISO 2768-m

Measuring DIM=L	Tolerances
0.5<L<=3.0mm	±0.1mm
3.0<L<=6.0mm	±0.1mm
6.0<L<=30.0mm	±0.2mm
30.0<L<=120.0mm	±0.3mm
120.0<L<=400.0mm	±0.5mm
400.0<L<=1000.0mm	±0.8mm

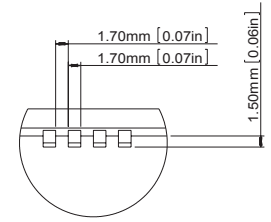
G1037B



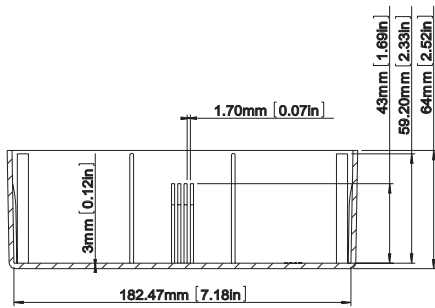
BASE



COVER



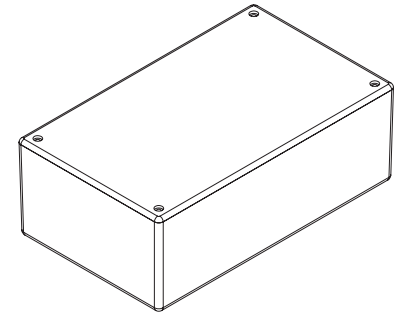
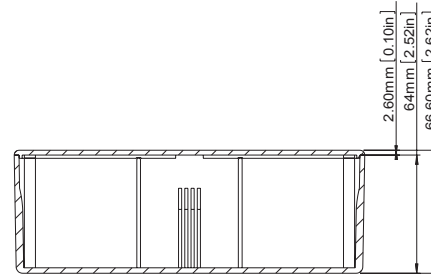
SECTION C
SCALE 2:1



SECTION A-A



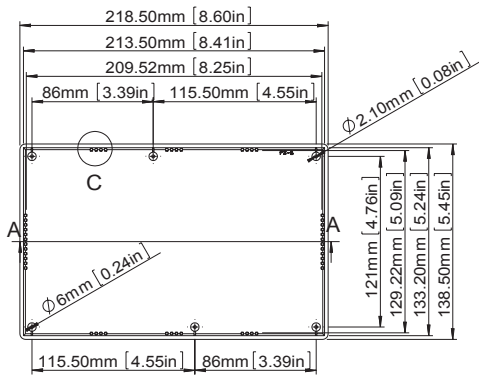
SECTION B-B



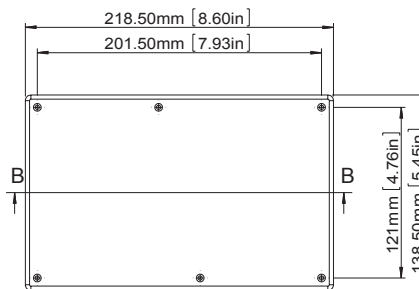
According to ISO 2768-m

Measuring DIM=L	Tolerances
0.5<L<=3.0mm	±0.1mm
3.0<L<=6.0mm	±0.1mm
6.0<L<=30.0mm	±0.2mm
30.0<L<=120.0mm	±0.3mm
120.0<L<=400.0mm	±0.5mm
400.0<L<=1000.0mm	±0.8mm

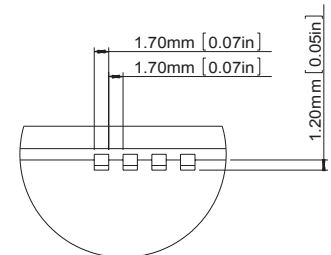
G1039B



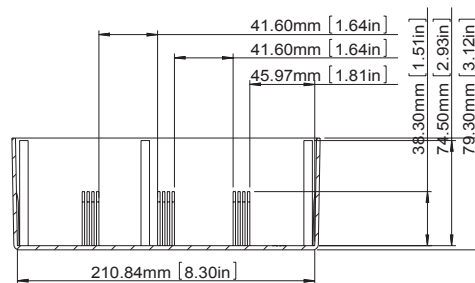
BASE



COVER



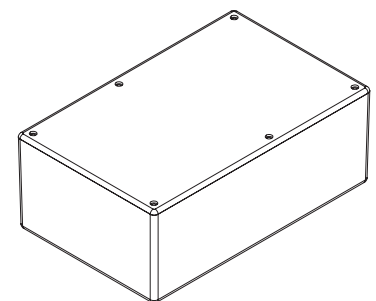
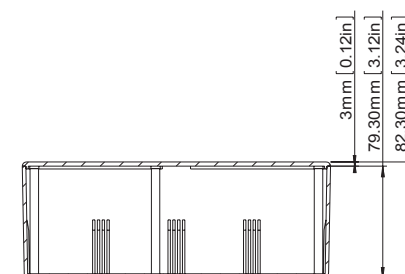
SECTION C
SCALE 2:1



SECTION A-A
SCALE 1 : 3



SECTION B-B
SCALE 1 : 3

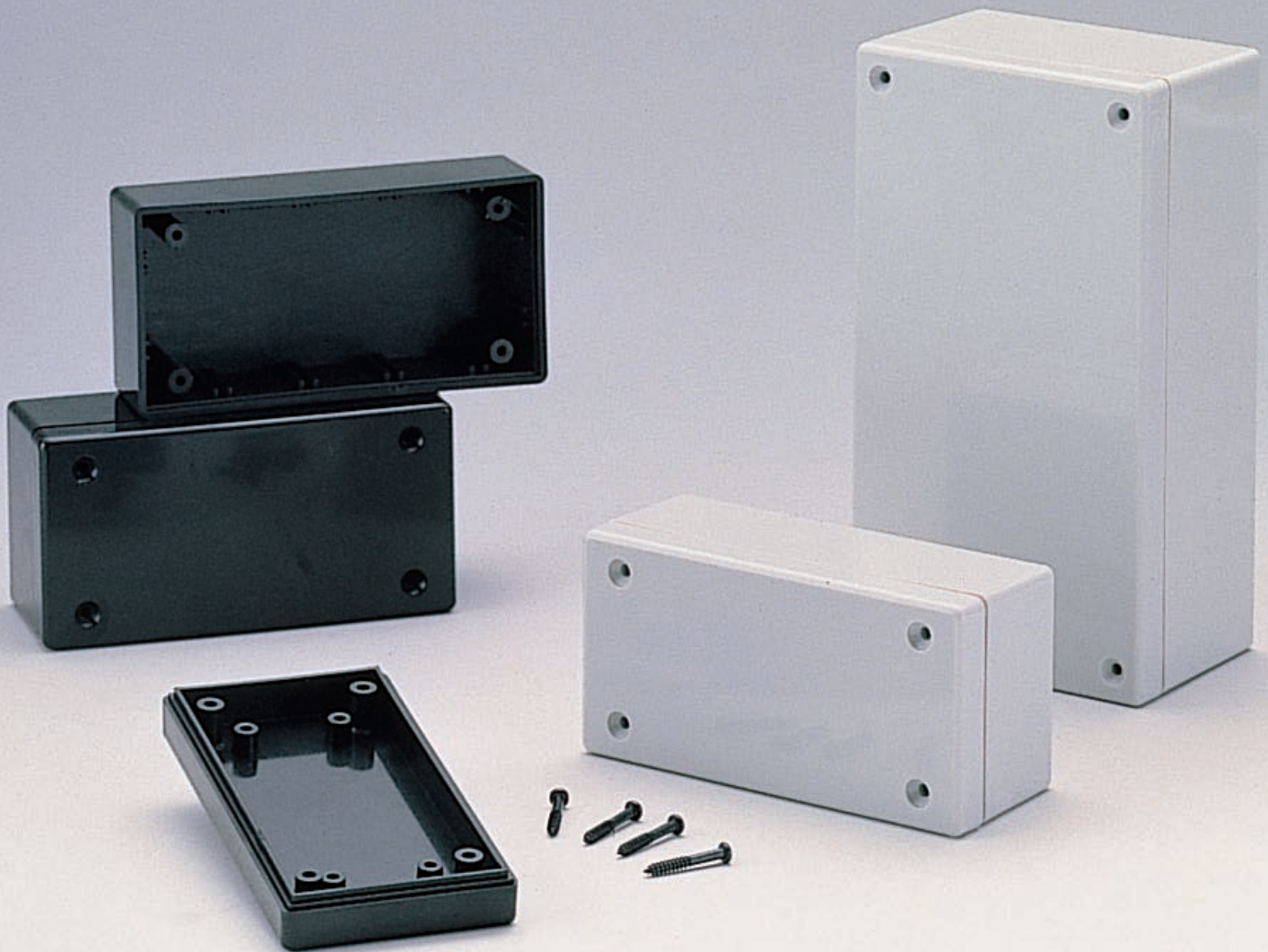


According to ISO 2768-m

Measuring DIM=L	Tolerances
0.5<L<=3.0mm	±0.1mm
3.0<L<=6.0mm	±0.1mm
6.0<L<=30.0mm	±0.2mm
30.0<L<=120.0mm	±0.3mm
120.0<L<=400.0mm	±0.5mm
400.0<L<=1000.0mm	±0.8mm

G10XX, TYPE D SERIES

UTILITY BOXES



PRODUCT INFORMATION

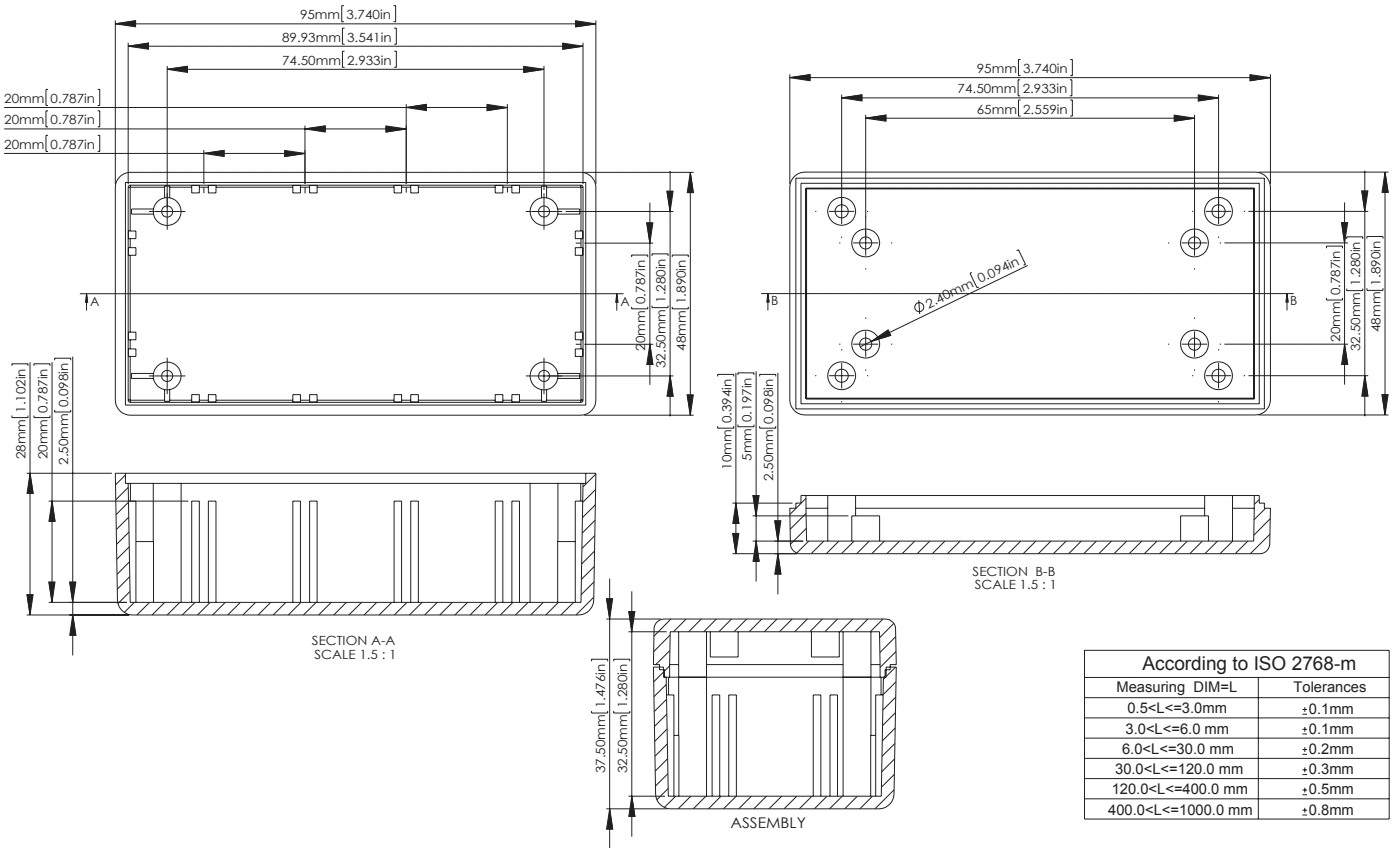
MATERIAL: High impact ABS UL94-HB, black and grey.

FEATURES:

- Card guides spaced at 20mm centers allow flexibility of components placement or creation of compartments for potting. Guides accept 1.6mm thick cards.

ITEM No.	COLOR	EXTERNAL DIMENSION (MM)
G1068G	Grey	95 x 48 x 38
G1068B	Black	95 x 48 x 38
G1098G	Grey	135 x 75 x 50
G1098B	Black	135 x 75 x 50

G1068



G1098

