

REVISION DATA		
REV	DESCRIPTION	DATE
A0	NEW DRAWING	2010-12-31

## Technical Data

### Material:

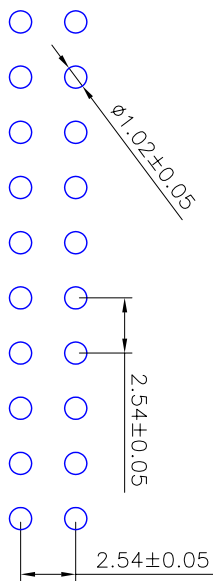
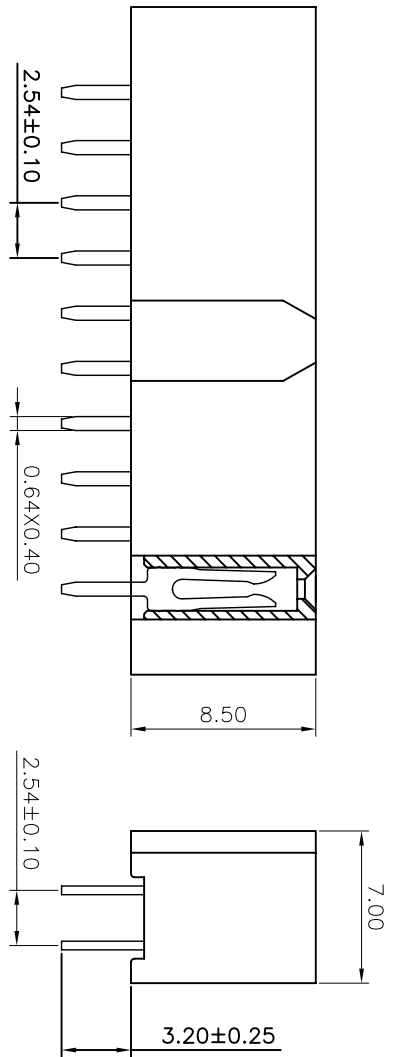
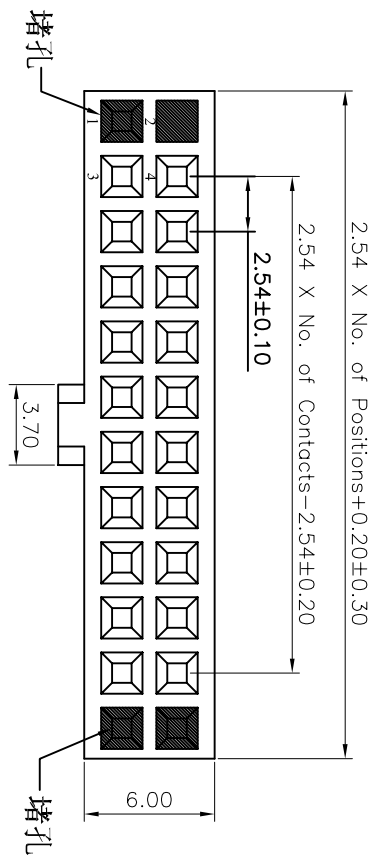
Contact Material: Brass  
 Insulator Material: Black Polyester UL94V-0  
 Standard: PBT or PA6T +30%GF

### Electrical:

Current rating: 3Amps/contact max.  
 Contact resistance:  $\leq 20\text{m}/\text{contact}$   
 Insulation resistance:  $\geq 1000\text{M}\Omega/\text{E}$  at  $V=100\text{V}$   
 Withstanding Voltage: 1000V AC/minute

### Mechanical:

Operating temperatures: Gold Plated:  $-55^\circ\text{C}$  to  $+105^\circ\text{C}$   
 Tin plated:  $-40^\circ\text{C}$  to  $+105^\circ\text{C}$   
 Soldering temperature:  $+220^\circ\text{C}$ , 10s max(PBT),  
 $+260^\circ\text{C}$ , 10s max(PA6T).



P.C.B LAYOUT

F139	12	XXX	XX	D	X	X	Q	A	00
Product Descriptions F139 H=8.5	Product Type 12 Dual Row	No. of Positions XXX Poles	Pin Plating G0 Gold Flash SN Tin Plated	Angle options D Straight	Insulator Material A PBT B PA6T C PA6T D LCP	Color B Black W White L Blue G Green Y Yellow R Red N Natural	特征 F 翘脚呆点 (半凸) Q 翘脚呆点 (全凸)	Series NO. A OC-3.20mm	

TOLERANCE		PROJECTION	TITLE:
ANGLE	$\pm 5^\circ$		PH2.54 H8.50mm Double Row Straight Female Header
X.XXX	$\pm 0.10$		
X.XX	$\pm 0.20$		
X.X	$\pm 0.30$		
X.	$\pm 0.50$	APPROVED:	DRAWING NO:
		REV: A0	UNIT: mm
		SCALE: 3:1	SIZE: A4