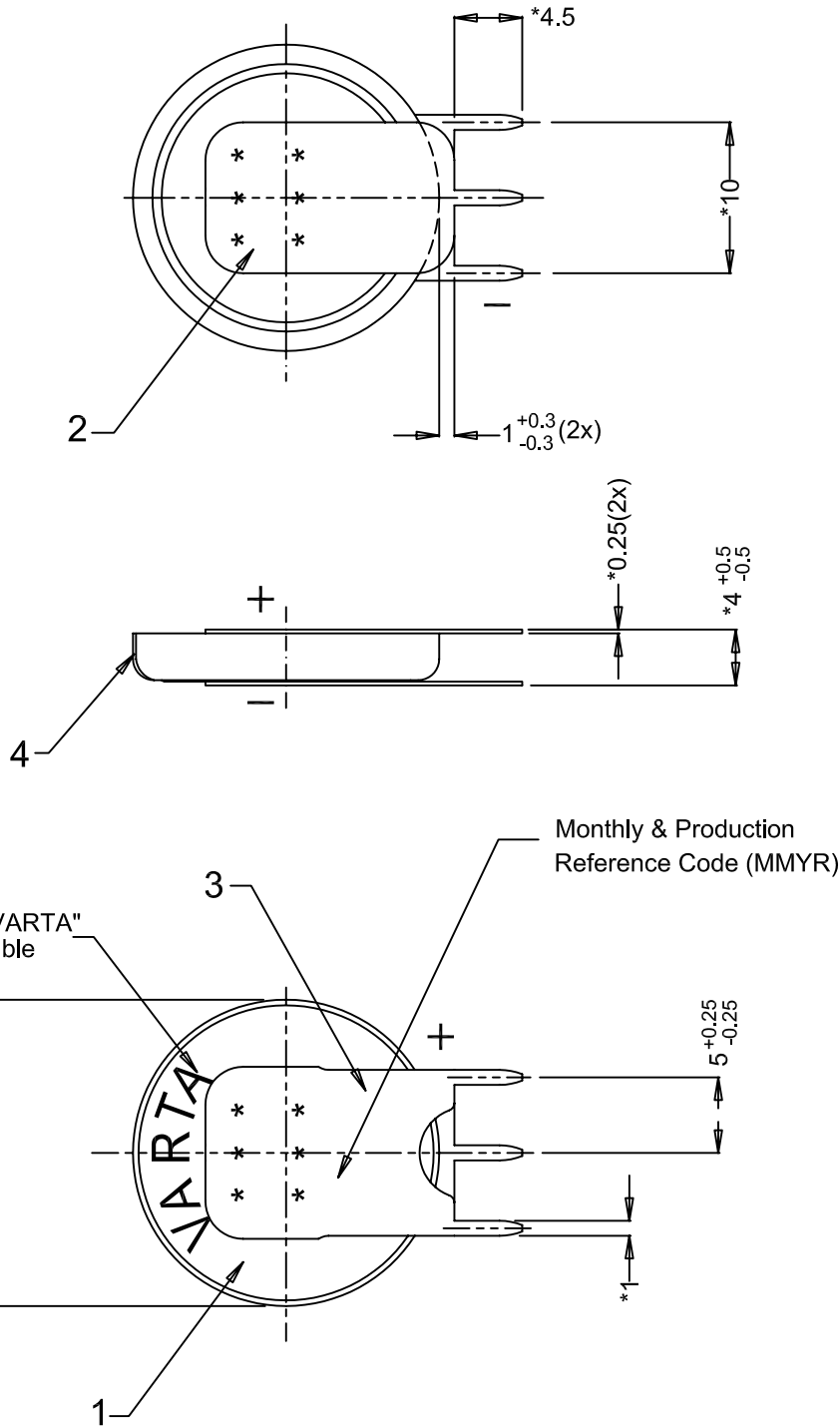


VARTA Microbattery

mobility for you

This is a controlled document.
 Hardcopy to be endorsed by authorized person.
 Check with Issuing Office or SAP system for latest update.



Note : *Dimensions for reference only.

4	R106/05	Spec tag to tag Ref 4 ± 0.5 was 4.2 ± 0.5 mm	2005-07-07	TitisWS	
3	R113/04	Change date code to MMYR was MMY Y to identification the laser machine	2004-12-22	Ratna	
2	T18/01	To add the date code area for Lithium coin	2001-03-08	Yeni	
1	T141/00	To change weld spot to 6 was 4	2000-11-11	Ratna	
No	AO No	Revisions	1	Date	Name

Projection:		Material: Refer to part list no: 004749		Description: 3V CR 2032 SLF with casing & solder tags	
Dimensions in mm		Prepared & Checked 2000-10-09 Titis WS		Dwg. No: 004749	
Tolerance: As specified		Verified & Approved		4 0 4	
Scale: 2 : 1				VKB Order No: 06032 201 501	

Rights reserved to make technical changes, as a result of further development, without notice. This drawing is the property of VARTA Microbattery and must not be copied or disclosed to a third party without the written consent of VARTA Microbattery.

