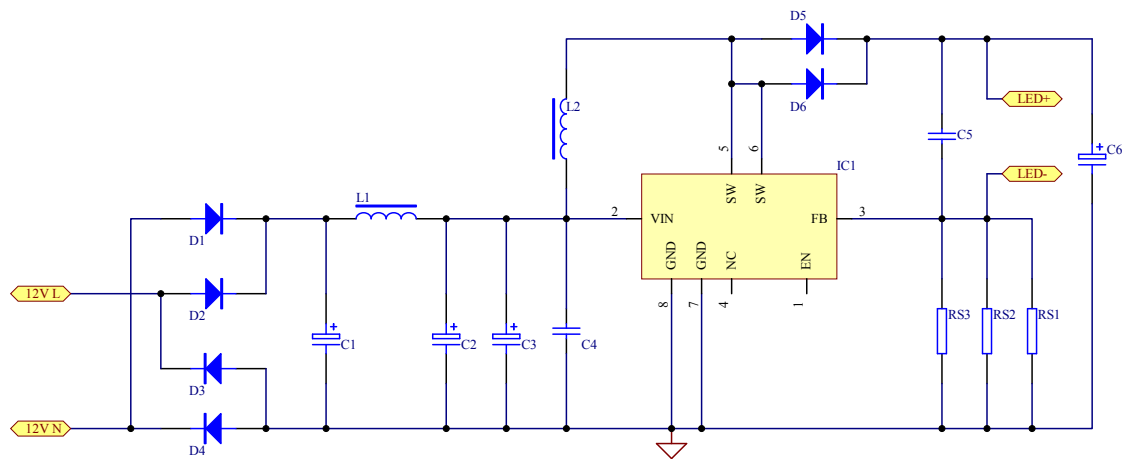


D
C
B
A



Title		
Size A4	Number	Revision
Date: 14-Sep-2011	Sheet of	
File: E:\设计资料\SL PCB\Dimming.Ddb	Drawn By:	

D
C
B
A