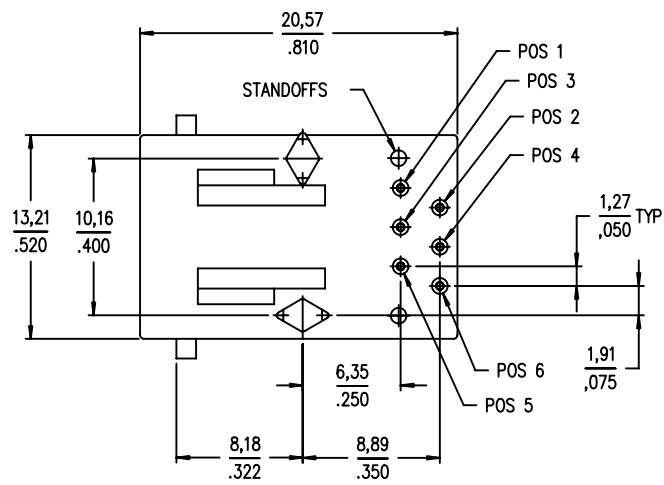
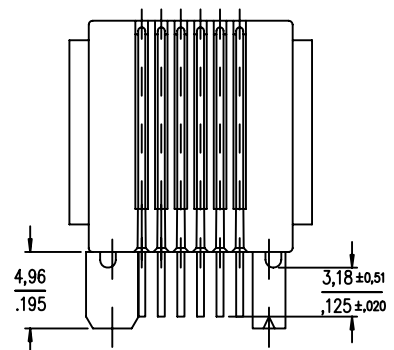
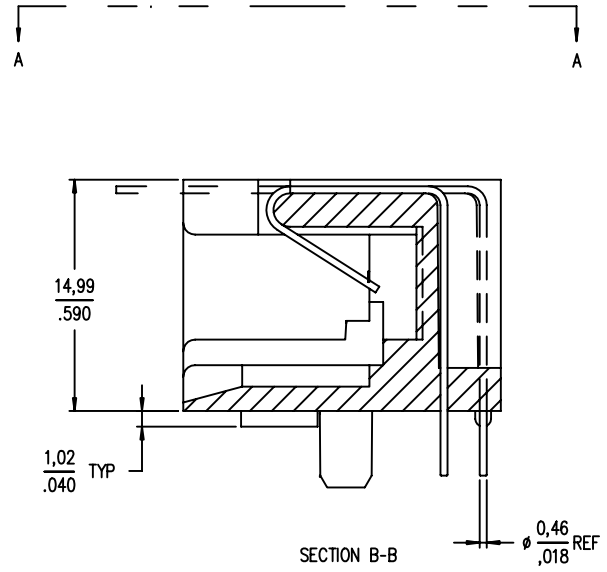
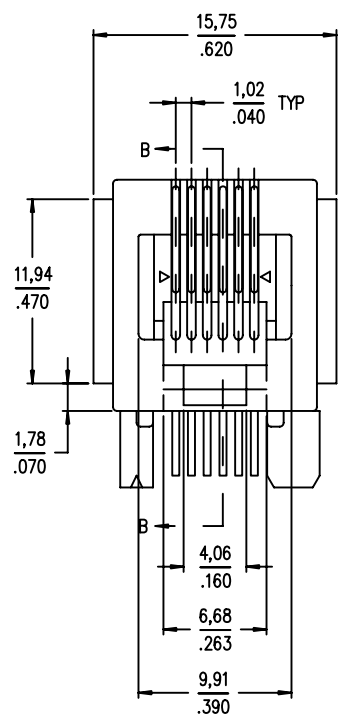


Tous droits strictement réservés. Reproduction ou communication a des tiers interdite sous quelque forme que ce soit sans autorisation écrite du propriétaire. Propriété de © FCI ELECTRONICS. Droits de reproduction © FCI ELECTRONICS INC.

All rights strictly reserved. Reproduction or issue to third parties in any form whatever is not permitted without written authority from the proprietor. Property of © FCI ELECTRONICS Copyright FCI ELECTRONICS INC.



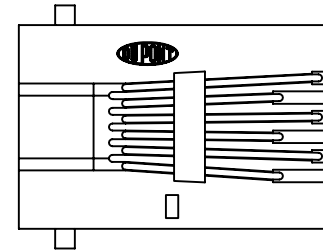
PRODUCT NO.
SEE TABLE



mat'l code				tolerance unless otherwise specified		CUSTOMER COPY		 www.fciconnect.com		
rev.	ecn no.	dr	date	linear	XXX ± 0,3 / XXX ± 0,01		projection	title		
M	S80281	BC L	05/09/98		XXX ± 0,13 / XXX ± 0,005			6 POS HORIZONTAL P.C.B. MOD JACK ASSY		
N	V81245	BOB M	12/18/98	angles	XXX ± 0,08 / XXX ± 0,0020			product family		
P	S90087	BC L	05/19/99		± 2°			code		
R	S00022	BC L	01/28/00	dr	JANET	01/26/00	unit	TWN		
S	N05-0002	YS	01/07/05	enrg	TONY CHIEN	01/26/00	mm/inch	sheet		
T	N06-0130	LONG	5/15/08	chr	TONY CHIEN	01/26/00	scale	1 OF 2		
U	N08-0097	SH	5/10/08	appd	JENN TSAO	01/26/00	1/1	68898		
sheet	revision	T	T							
index	sheet	1	2							



PRODUCT NO. (NOTE 1)	POSITIONS LOADED	CONTACT PLATING	HOUSING COLOR	MOUNTING EARS	REMARKS
68898-001/-001LF	ALL	GXT @ TM	BLACK	YES	-
68898-001R/-001RLF	ALL	GXT @ TM	RED	YES	-
68898-001G/-001GLF	ALL	GXT @ TM	GREEN	YES	-
-002/-002LF	2,3,4,5	GXT @ TM	BLACK	YES	-
-003/-003LF	3,4	0,76um /30u" Au	BLACK	YES	-
-004/-004LF	2,3,4,5	0,76um /30u" Au	BLACK	YES	-
-005/-005LF	ALL	0,76um /30u" Au	BLACK	YES	-
-006/-006LF	3,4	GXT @ TM	BLACK	YES	-
-007	2,3,4,5	GXT @ TM	GRAY	YES	OBSOLETED
-008/-008LF	ALL	0,76um /30u" Au	BLACK	NO	-
-009/-009LF	2,3,4,5	1,27um /50u" Au	BLACK	YES	-
-010/-010LF	ALL	1,27um /50u" Au	BLACK	YES	-
-011/-011LF	2,3,4,5	2u" Au	BLACK	YES	-
-012/-012LF	2,3,4,5	6u" Au	BLACK	YES	-
-013/-013LF	ALL	GXT @ TM	BLACK	YES	HI TEMP MATERIAL
-014/-014LF	3,4	6u" Au	BLACK	YES	-
-015/-015LF	3,4	GXT @ TM	BLACK	NO	-
-016/-016LF	2,3,4,5	GXT @ TM	BLACK	NO	-
-017LF	ALL	GXT @ TM	BLACK	YES	-

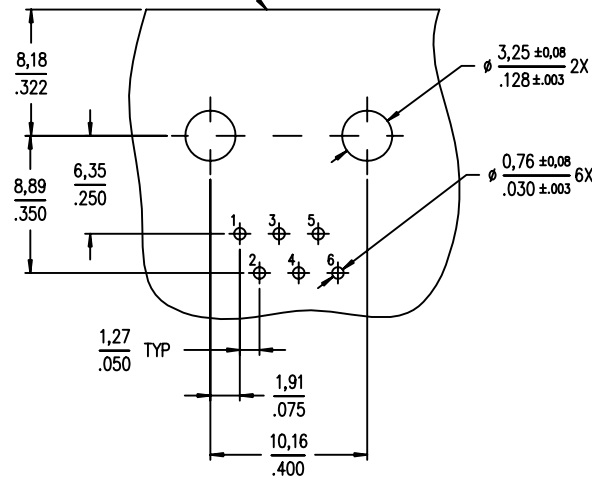


VIEW A-A

NOTES :

- WHEN PRODUCT CALLS FOR PACKAGING IN TRAY ORDER THE PRODUCT WITH PART NUMBER 68898-XXXT OR -XXXTLF FOR PACKAGING IDENTIFICATION. FOR PRODUCT NUMBER WITHOUT SUFFIX "T" OR "TLF", THE PRODUCT WILL BE PACKED IN TUBE AS PER DUPONT STANDARD PACKAGING.
- GXT IS 0,76um / 30u" MIN GXT WITH Au FLASH OVER 1,27um / 50u" MIN Ni.
- THIS PRODUCT MEETS EUROPEAN UNION DIRECTIVES AND OTHER COUNTRY REGULATIONS AS DESCRIBED IN GS-22-008.
- IF LF P/N PACKAGING MEETS GS-14-920 SPECIFICATION.
- THE HOUSING WILL WITHSTAND EXPOSURE TO 260°C PEAK TEMPERATURE FOR 10 SECONDS IN A WAVE SOLDER APPLICATION WITH A 1.60mm MINIMUM THICK CIRCUIT BOARD.
- FOR 68898-013/013LF THE HOUSING WILL WITHSTAND EXPOSURE TO 260°C PEAK TEMPERATURE FOR 10 SECONDS IN A CONVECTION, INFRA-RED OR VAPOR PHASE REFLOW OVEN.
- EQUIVALENT THICKNESS Au AND GXT PLATING HAVE SAME FUNCTION AND THEY ARE ALTERNATIVE BY THE CUSTOEMR .

LEAD FREE PRODUCT NO.
EDGE OF BOARD RECOMMENDED BOARD LAYOUT
VIEWED FROM TOP



mat'l code		tolerance unless otherwise specified		CUSTOMER COPY		FCI www.fciconnect.com		
rev.	ecn no.	dr	date	linear	projection	title		
U				XX ± 0.3 / XXX ± 0.01		6 POS HORIZONTAL P.C.B. MOD JACK ASSY		
				XXX ± 0.13 / XXX ± 0.005		product family	code	
				XXX ± 0.08 / XXX ± 0.0020		size	TWN	
				angles ± 2°	mm / inch	dwg no.	sheet	
		dr	JANET 01/26/00	unit	1/1	68898	2 OF	
		enr	TONY CHIEN 01/26/00	scale				
		chr	TONY CHIEN 01/26/00					
		appd	JENN TSAO 01/26/00					
sheet	revision							
index	sheet							